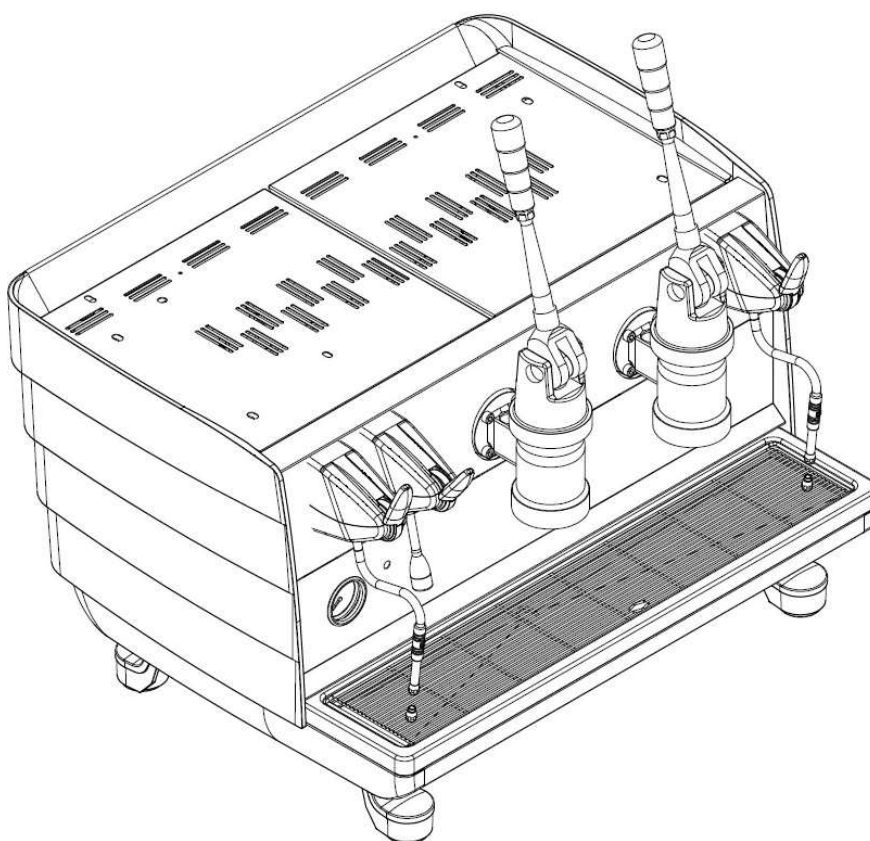


SPARE PARTS BOOK



LEVA VERSION

18/11/2020



INSPIRED BY YOUR PASSION.



INSPIRED BY YOUR PASSION.

- T.01 **CABINET PARTS**
COMPONENTI GRUPPO CARENA
- T.02 **POURING GROUP PARTS**
COMPONENTI GRUPPO EROGAZIONE
- T.03 **HYDRAULIC PARTS**
COMPONENTI IDRAULICI
- T.04 **STEAM & HOT WATER PARTS**
COMP. VAPORE E ACQUA CALDA
- T.05 **BOILER PARTS**
PARTI CALDAIA
- T.06 **ELECTR. AND ELECTRICAL PARTS**
COMP. ELETTRICI ED ELETTRONICI
- T.07 **FRAME PARTS**
COMPONENTI TELAIO

» LEGEND :

THE CODES WRITTEN IN BOLD REFER TO THE COMPONENTS
EMPLOYED CURRENTLY.

THE CODES USED BEFORE ARE WRITTEN IN CURSIVE WITH INDICATED,
ON THE SIDE, THE END OF VALIDITY DATE.

EXAMPLE:

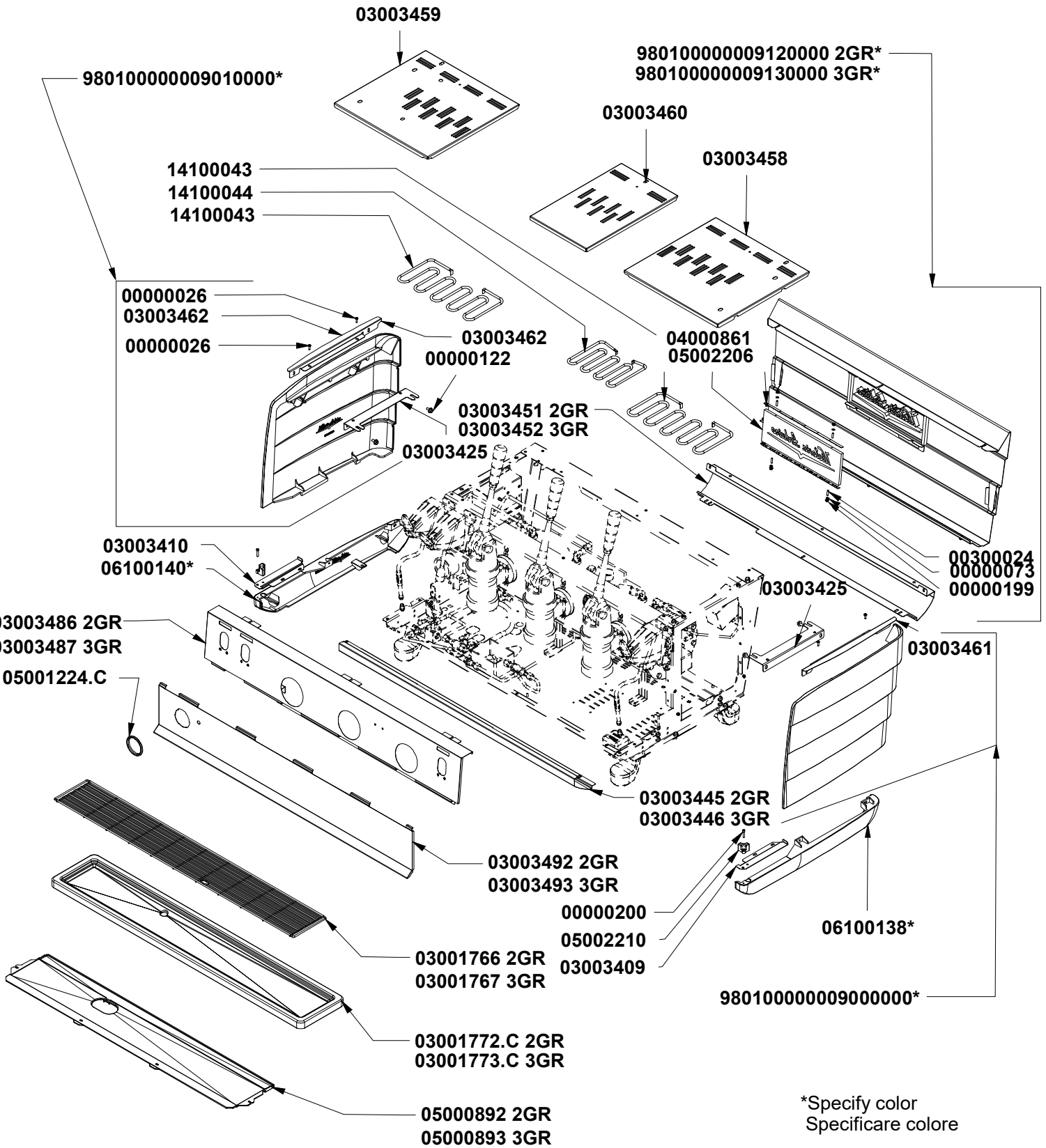
0300153I - 01/09/2007

0300153I



VERSIONE LEVA
LEVA VERSION

COMPONENTI GRUPPO CARENA
CABINET PARTS



INSPIRED BY YOUR PASSION.



VERSIONE LEVA
LEVA VERSION

COMPONENTI GRUPPO CARENA
CABINET PARTS

COD.	DESCRIPTION	DESCRIZIONE	VAL.
00000026	GALV CROSS HEAD CAP SCREW AQ M4x12	VITE AQ M4X12 TC T.CR. ZINC	
00000073	S/S WASHER D.8x4x1 UNI6592	RONDELLA INOX 8X4X1 UNI6592	
00000122	WHITE GALV FLANGED KNURLED HEX CAP SCREW 8.8 M	VITE AQ 8.8 M6X12 TE FLANG. ZIGR. ZINC. BIANCO	
00000199	S/S NUT M4 MEDIUM UNI 5588	DADO INOX M4 MEDIO UNI 5588	
00000200	S/S SCREW M4x20 UNI 5931	VITE INOX M4X20 TCEI UNI 5931	
00300024	S/S GRUB SCREW M4X16 5923	GRANO INOX M4X16 5923	
03001766	WORKTOP NET 2 GR	RETINA PIANO LAVORO 2 GR. *KBB*	
03001767	WORKTOP NET 3 GR	RETINA PIANO LAVORO 3 GR. *KBB*	
03001772.C	DRAIN TRAY 2 GR POLISHED BORDER	PIATTO RACCOGLIACQUA 2 GR. CON BORDO LUCIDO	
03001773.C	DRAIN TRAY 3 GR POLISHED BORDER	PIATTO RACCOGLIACQUA 3 GR. CON BORDO LUCIDO	
03003409	RIGHT PROTECTION SUPPORT DRAIN TRAY VA358	LAMIERA PROTEZIONE DX PIATTO RACC. ACQUA VA358	
03003410	LEFT PROTECTION SUPPORT DRAIN TRAY VA358	LAMIERA PROTEZIONE SX PIATTO RACC. ACQUA VA358	
03003425	SIDE PANEL SUPPORT VA358	LAMIERA SUPP. FIANCO VA358	
03003445	LOWER FRONT PLATE 2GR VA358	LAMIERA FRONTALE INFERIORE 2GR VA358	
03003446	LOWER FRONT PLATE 3GR VA358	LAMIERA FRONTALE INFERIORE 3GR VA358	
03003451	LOWER BACK PANEL 2 GR VA358	CARENA RETRO INF. 2GR. VA358	
03003452	LOWER BACK PANEL 3GR VA358	CARENA RETRO INF. 3GR. VA358	
03003458	SUPERIOR RIGHT CUPWARMER VA358	PORTATAZZE SUPER. DX VA358	
03003459	SUPERIOR LEFT CUPWARMER VA358	PORTATAZZE SUPER. SX VA358	
03003460	CUPWARMER CENTRAL PLATE VA358	PORTATAZZE SUPER. CENTR. VA358	
03003461	RIGHT SIDE PANEL SUPPORT VA358	MOSTRINA SUP. FIANCO DX VA358	
03003462	LEFT SIDE PANEL SUPPORT VA358	MOSTRINA SUP. FIANCO SX VA358	
03003486	SUPERIOR FRONT WALL 2GR LEVA	PARETE FRONTALE SUP. 2GR. VA358 LEVA	
03003487	SUPERIOR FRONT WALL 3GR LEVA	PARETE FRONTALE SUP. 3GR. VA358 LEVA	
03003492	FRONT WALL 2GR VA358 LEVA	PARETE FRONTALE 2GR. VA358 LEVA	
03003493	FRONT WALL 3GR VA358 LEVA	PARETE FRONTALE 3GR. VA358 LEVA	
04000861	STRIP LED LOGO ADONIS 1x300	STRIP LED LOGO ADONIS 1X300	
05000892	SAFETY COVER WORKTOP 2 ABS	CHIUSURA SICUR. PIANO LAVORO 2 ABS *KBB*	
05000893	SAFETY COVER WORKTOP 3 ABS	CHIUSURA SICUR. PIANO LAVORO 3 ABS *KBB*	
05001224.C	WATER GAUGE PLATE AURELIA II CHROME	MOSTRINA MANOMETRO AURELIA II CROMATA	
05002206	LIGHTED WRITING VICTORIA ARDUINO W/ PANEL	SCRITTA LUMINOSA "VICTORIA ARDUINO" CON PANNELL	
05002210	FLAT ANGULAR DRIP TRAY SUPPORT	SUPPORTO ANGOLARE PIATTO RACCOGLIACQUA	
06100138.BPV	RIGHT INFERIOR SIDE PANEL VA358 WHITE	FIANCO INF. DX VA358 BIANCO PERLA VERNICIATO	
06100138.C	RIGHT INFERIOR SIDE PANEL VA358 CHROME	FIANCO INF. DX VA358 CROMATO	
06100138.NOV	RIGHT INFERIOR SIDE PANEL VA358 MATT BLACK	FIANCO INF. DX VA358 NERO OPACO VERNICIATO	
06100140.BPV	LEFT INFERIOR SIDE PANEL VA358 PAINTED PEARL WHIT	FIANCO INF. SX VA358 BIANCO PERLA VERNICIATO	
06100140.C	LEFT INFERIOR SIDE PANEL VA358 CHROME	FIANCO INF. SX VA358 CROMATO	
06100140.NOV	LEFT INFERIOR SIDE PANEL VA358 PAINTED MATTE BLAC	FIANCO INF. SX VA358 NERO OPACO VERNICIATO	
14100043	CUPWARMER HEATING ELEMENT L=303 150W 230V	RESISTENZA SCALDATAZZE L=303 150W 230V	
14100044	CUPWARMER HEATING ELEMENT L=188 150W 230V	RESISTENZA SCALDATAZZE L=188 100W 230V	
98010000009000001	RIGHT SIDE PANEL SET VA358 STEELUX	ASS. FIANCO DX VA358 STEELUX	
98010000009000004	RIGHT SIDE PANEL SET VA358 WHITE	ASS. FIANCO DX VA358 BIANCO	
98010000009000005	RIGHT SIDE PANEL SET VA358 BLACK	ASS. FIANCO DX VA358 NERO	
98010000009010001	LEFT SIDE PANEL SET VA358 STEELUX	ASS. FIANCO SX VA358 STEELUX	
98010000009010004	LEFT SIDE PANEL SET VA358 WHITE	ASS. FIANCO SX VA358 BIANCO	
98010000009010005	LEFT SIDE PANEL SET VA358 BLACK	ASS. FIANCO SX VA358 NERO	



INSPIRED BY YOUR PASSION.



VERSIONE LEVA
LEVA VERSION

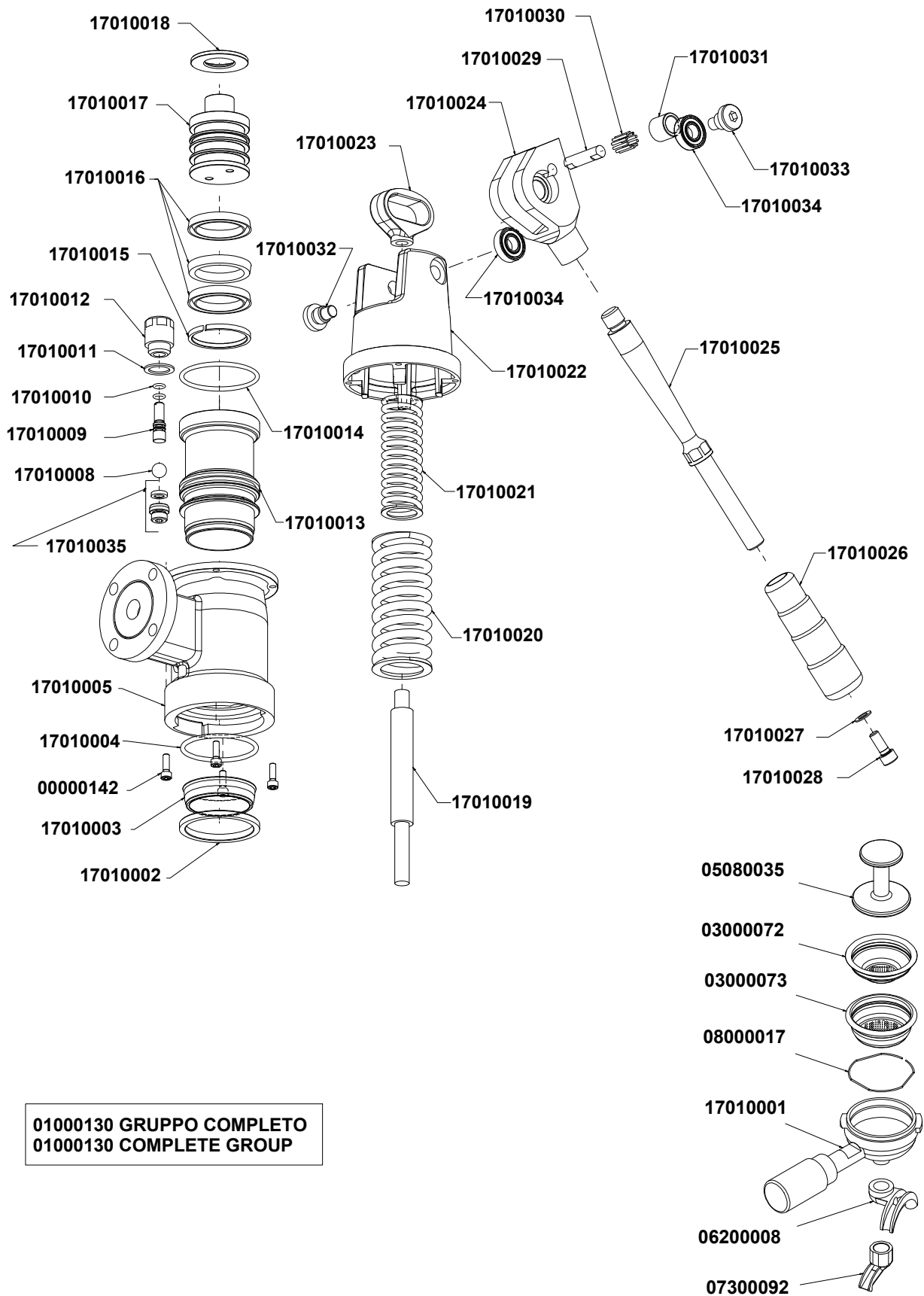
COMPONENTI GRUPPO CARENA
CABINET PARTS

COD.	DESCRIPTION	DESCRIZIONE	VAL.
98010000009120001	BACK PANEL SET VA358 2GR STEELUX LIGHTS	ASS. RETRO VA358 2GR. STEELUX LUCI	
98010000009120002	BACK PANEL SET VA358 2GR STEELUX	ASS. RETRO VA358 2GR. STEELUX	
98010000009120003	BACK PANEL SET VA358 2GR BLACK LIGHTS	ASS. RETRO VA358 2GR. NERO LUCI	
98010000009120004	BACK PANEL SET VA358 2GR BLACK	ASS. RETRO VA358 2GR. NERO	
98010000009120005	BACK PANEL SET VA358 2GR WHITE	ASS. RETRO VA358 2GR. BIANCO	
98010000009120006	BACK PANEL SET VA358 2GR WHITE LIGHTS	ASS. RETRO VA358 2GR. BIANCO LUCI	
98010000009130001	BACK PANEL SET VA358 3GR STEELUX LIGHTS	ASS. RETRO VA358 3GR. STEELUX LUCI	
98010000009130002	BACK PANEL SET VA358 3GR STEELUX	ASS. RETRO VA358 3GR. STEELUX	
98010000009130003	BACK PANEL SET VA358 3GR BLACK LIGHTS	ASS. RETRO VA358 3GR. NERO LUCI	
98010000009130004	BACK PANEL SET VA358 3GR BLACK	ASS. RETRO VA358 3GR. NERO	
98010000009130005	BACK PANEL SET VA358 3GR WHITE LIGHTS	ASS. RETRO VA358 3GR. BIANCO LUCI	
98010000009130006	BACK PANEL SET VA358 3GR WHITE	ASS. RETRO VA358 3GR. BIANCO	



VERSIONE LEVA
LEVA VERSION

COMPONENTI GRUPPO EROGAZIONE
POURING GROUP PARTS



01000130 GRUPPO COMPLETO
01000130 COMPLETE GROUP



VERSIONE LEVA
LEVA VERSION

COMPONENTI GRUPPO EROGAZIONE
POURING GROUP PARTS

COD.	DESCRIPTION	DESCRIZIONE	VAL.
00000142	S/S HEX SOCKET CAP SCREW M6x16	VITE INOX M5x16 TCEI	
01000130	COMPLETE LEVER GROUP UNIT WITH PORTAFILTER OT	GRUPPO A LEVA TESTA PESANTE COMPLETO DI PORTAI	
03000072	FILTER ONE COFFEE HIGH 7gr	FILTRO 1 CAFFE' ALTO 7GR.	
03000073	FILTER TWO COFFEE HIGH 14gr	FILTRO 2 CAFFE' ALTO 14GR.	
05080035	COFFEE TAMPER ABS BLACK	PRESSA CAFFE' ABS NERO	
06200008	2WAY OPEN NOZZLE	BECCO DUE VIE OPEN	
07300092	1WAY CURVED OPEN NOZZLE	BECCO UNA VIA CURVO OPEN	
08000017	S/S FILTER LOCKING SPRING	MOLLA BLOCCA FILTRO ACC.INOX	
17010001	COMPLETE PORTAFILTER - GR LEVA HEAVY HEAD	PORTAFILTRO COMPL. GRUPPO LEVA TESTA PESANTE	
17010002	GASKET 66x56x5.5 - GR LEVA T.P. 70000000220	GUARNIZ. SOTTOCOPPA 66X56X5.5 GRUPPO LEVA T.P. 70	
17010003	S/S SHOWER FILTER - GR LEVA T.P. 70000000221	FILTRO A DOCCIA INOX GRUPPO LEVA T.P. 70000000221	
17010004	OR-161 57.15x3.53 VITON - GR LEVA T.P. 70000000223	OR-161 57.15X3.53 VITON GRUPPO LEVA T.P. 70000000223	
17010005	BODY LEVA GROUP	CORPO GR.LEVA GRAND.S/CIRC.CR. GRUPPO LEVA	
17010008	S/S SPHERE D12 AISI 304 - GR LEVA T.P. 70000000226	SFERA D12 INOX AISI 304 GRUPPO LEVA T.P. 70000000226	
17010009	S/S PIN LOCKING VALVE - GR LEVA T.P. 70000000227	PERNO INOX CHIUS.VALV. GRUPPO LEVA T.P. 70000000227	
17010010	OR-106 1.78x6.75 VITON - GR LEVA T.P. 70000000228	OR-106 1.78X6.75 VITON GRUPPO LEVA T.P. 70000000228	
17010011	COPPER WASHER 17.5x24.5x1.5 - GR LEVA T.P.	RONDELLA RAME 17.5X24.5X1.5 GRUPPO LEVA T.P. 70000000229	
17010012	BODY VALVE LOCK - GR LEVA CR. T.P. 70000000230	CORPO VALV.CHIUS. GR.LEVA CR. GRUPPO LEVA T.P. 70	
17010013	SLEEVE FOR LEVA GROUP	CAMICIA X GR.LEVA GRANDE CR. GRUPPO LEVA T.P. F15	
17010014	OR-162 58.74x3.53 VITON - GR LEVA T.P. 70000000231	OR-162 58.74X3.53 VITON GRUPPO LEVA T.P. 70000000231	
17010015	RING PTFE 50x44x4 X PISTON - GR LEVA T.P.	ANELLO PTFE 50X44X4 X PISTONE GRUPPO LEVA T.P. 70	
17010016	PISTON GASKET - GR LEVA 2009 T.P. 70000000236	GUARNIZIONE X PISTONE GR.LEVA GRUPPO LEVA T.P. 70	
17010017	PISTON FOR LEVA GROUP	PISTONE D49 X GRUPPO LEVA 2009 GRUPPO LEVA T.P. 70	
17010018	BUSH STEEL SPRING GUIDE	BOCCOLA INOX GUIDAMOLLE GRUPPO LEVA T.P. 70000000237	
17010019	S/S SHAFT PISTON - GR LEVA 2009 T.P. 70000000236	ALBERO INOX PIST.GR.LEVA 2009 GRUPPO LEVA T.P. 70000000236	
17010020	BIG SPRING 7x49.2 - GR LEVA T.P. 70000000237	MOLLA GRANDE GR.LEVA 7X49.2 GRUPPO LEVA T.P. 70000000237	
17010021	LITTLE SPRING 4.5x33.9 - GR LEVA T.P. 70000000238	MOLLA PICCOLA GR.LEVA 4.5X33.9 GRUPPO LEVA T.P. 70000000238	
17010022	HEAD LEVA GROUP	TESTA GRUPPO LEVA 2009 CROM. GRUPPO LEVA T.P. F1	
17010023	SLOTTED RING - GR LEVA 2009 CR T.P. F1956O0MM00	ANELLO ASOLATO GR.LEVA 2009 CR GRUPPO LEVA T.P. F1956O0MM00	
17010024	GROUP JOINT - GR LEVA 2009 CHROME T.P. F1957O0MM00	SNODO GRUPPO LEVA 2009 CROMATO GRUPPO LEVA T.P. F1957O0MM00	
17010025	LEVER L=232 - CR. GROUP LEVA T.P. 70000000239	LEVA L=232 PER GRUPPO LEVA CR. GRUPPO LEVA T.P. 70000000239	
17010026	LEVER GROUP HANDLE - GROUP LEVA T.P. 70000000240	MANOPOLA PER GRUPPO LEVA GRUPPO LEVA T.P. 70000000240	
17010027	S/S WASHER 15x8.4x1 - GROUP LEVA T.P. 70000000241	RONDELLA INOX 15X8.4X1 GRUPPO LEVA T.P. 70000000241	
17010028	S/S SCREW M8x20 - GROUP LEVA T.P. 70000000242	VITE TCE A2 INOX 8X20 GRUPPO LEVA T.P. 70000000242	
17010029	PIN BEARING - 2009 GROUP LEVA T.P. 70000000243	SPINA CUSC.RULLI GR.LEVA 2009 GRUPPO LEVA T.P. 70000000243	
17010030	ROLLER NRB 2x17.8 G2 GROUP LEVA T.P. 70000000244	RULLO NRB 2X17.8 G2 GRUPPO LEVA T.P. 70000000244	
17010031	BUSHING D20D14 H18 TEMPR.RETT. GROUP LEVA T.P.	BUSSOLA D20D14 H18 TEMPR.RETT. GRUPPO LEVA T.P. F15	
17010032	LEFT THREADED PIN SCREW - ATHENA LEVA GROUP 2009	VITE PERNO FIL.SX GR.LEVA 2009 GRUPPO LEVA T.P. 70000000245	
17010033	RIGHT THREADED PIN SCREW - ATHENA LEVA GROUP 2009	VITE PERNO FIL.DX GR.LEVA 2009 GRUPPO LEVA T.P. 70000000245	
17010034	SPHERE BEARING 28x12x8 - GROUP LEVA T.P.	CUSCINETTO SFERE 28X12X8 GRUPPO LEVA T.P. 70000000246	
17010035	FITTING D16 G1/4 + PTFE TABLET ASSEMBLED	RACCORDO D16 G1/4 + PASTIGLIA PTFE ASSEMBLATI 70000000247	

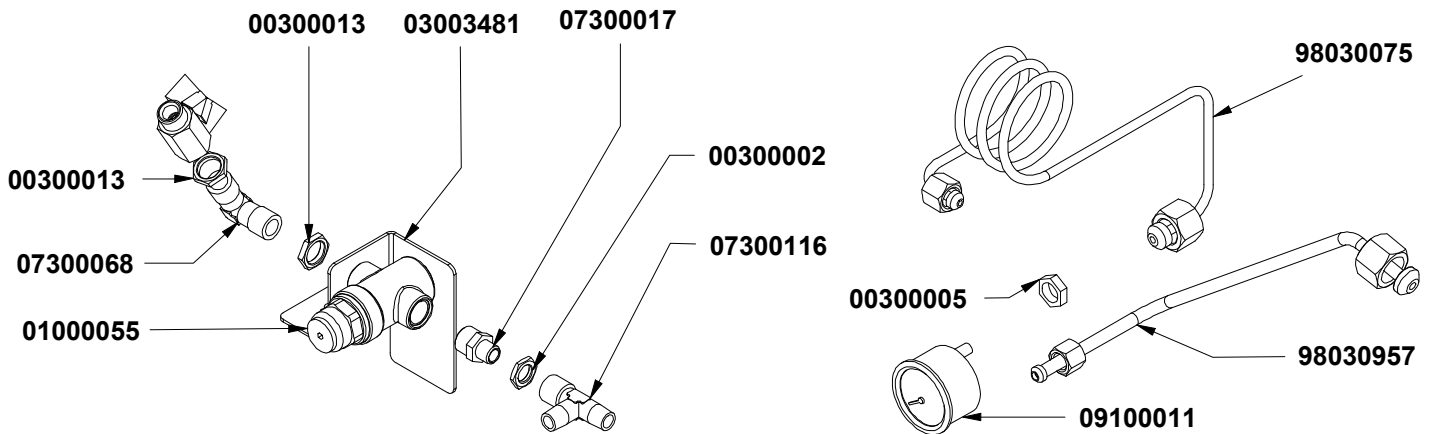


INSPIRED BY YOUR PASSION.

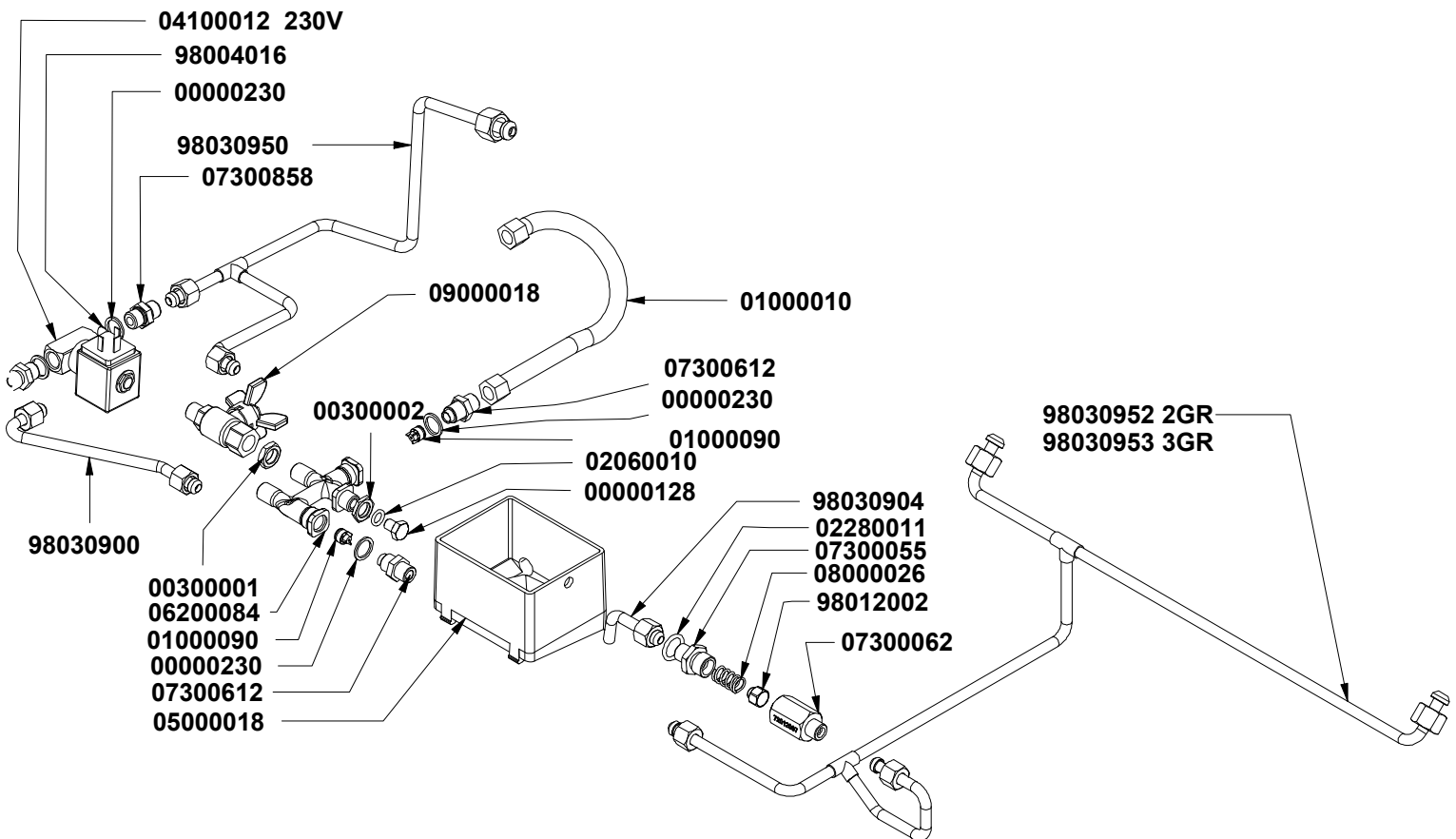


VERSIONE LEVA
LEVA VERSION

COMPONENTI IDRAULICI
HYDRAULIC PARTS



CODE	DESCRIPTION	DESCRIZIONE
00000133	STAINLESS STEEL CLAMP 16-25	FASCETTA INOX 16-25
01000030	FLEXIBLE PIPE L=500	TUBO FLESSIBILE L=500
01000127	EXHAUST PIPE WITH FITTING	TUBO SCARICO CON RACCORDO





VERSIONE LEVA
LEVA VERSION

COMPONENTI IDRAULICI
HYDRAULIC PARTS

COD.	DESCRIPTION	DESCRIZIONE	VAL.
00000128	S/S HEX CAP SCREW M8x10 THREADED	VITE INOX M8X10 TE TUTTO FIL.	
00000133	S/S CLIP WD12 16-25 C7 W2	FASCETTA INOX WD12 16-25 C7 W2	
00000230	COPPER WASHER SEAL 14X18X1.5	RONDELLA GUARNIZIONE RAME RICOTTO 14X18X1.5	
00300001	BRASS NUT 1/4 GAS D5 CH18	DADO OT 1/4 GAS SPESS.5 CH18 *AGG. 22.07.96	
00300002	BRASS NUT 1/4 D3 CH18	DADO OT 1/4 SPESS.3 CH18 AGG. 22.07.96	
00300005	BRASS NUT 1/8 GAS D4 ADD 22.07.96 CH13	DADO OT 1/8 GAS AGG.22.07.96 SPESS.4 CH13	
00300013	BRASS NUT 3/8 GAS D4 CH20 ADD 22.07.96	DADO OT 3/8 GAS SPESS.4 CH20 AGG.22.07.96	
01000010	S/S FLEXIBLE TUBE 1/4 FF L=320	TUBO FLESS.INOX 1/4-F.F. L=320*KBB*	
01000030	S/S FLEXIBLE TUBE 3/8 FF L=500	TUBO FLESS INOX 3/8 FF L=500 *KBB*	
01000055	PRESSURE REDUCTION VALVE 3/8 4 BAR	RIDUTT. DI PRESS. FF 3/8 4BAR	
01000090	RETAINING VALVE D10	VALVOLINA DI RITEGNO D.10	
01000127	DIRECT SLEEVE DISCHARGE TUBE D19 L=2m	TUBO SCARICO CON MANICOTTO DIRITTO D.19 L= 2 M	
02060010	COPPER O RING 8.3x13x1.9 ND8	OR RAME 8,3X13XH1,9 DN8	
02280011	GASKET O RING R11 D19 EP 851	GUARN. OR R11 D19 EP 851	
03003481	PRESSURE REDUCER SUPPORT	SUPPORTO RIDUTTORE DI PRESSIONE VA358 LEVA	
04100012	2WAY SOLENOID 1/8-1/8 1/8 240V50/60hz F3 UL TH2xM5	E.V. NC 2VIE 1/4-1/4 220-230V 50/60HZ VITON F1.5 CE	
05000018	DRAIN TRAY AURELIA	VASCHETTA SCARICO AURELIA	
06200084	5WAY MANIFOLD AURELIA OT-57 USA	CROCIERA 5 VIE AURELIA OT-57 USA	
07300017	FITTING 1/4M 3/8M GAS OT-57 USA	RACCORDO 1/4M 3/8M GAS OT-57 USA	
07300055	SPRING HOLDER PLUG 3/8"-1/4"	TAPPO PORTAMOLLA 3/8"-1/4" *AGG. 14.06.99	
07300062	NEPLAX/RETURN BODY VLVE AT DA 1/4 GAS ADD.23.06.9	CORPO VALVOLA NEPLAX/RITEGNO AT. DA 1/4 GAS AGG.	
07300068	FITTING L 3/8 M-M CYLIN	RACCORDO L 3/8 M-M CILIN.	
07300116	FITTING T 1/4 M-M-F OT-57	RACCORDO T 1/4 M-M-F OT-57	
07300612	FITTING 1/4 1/4 GAS WITH ORING + RET. VALVE LOCK	RACCORDO 1/4 1/4 GAS CON OR	
07300858	FITTING 1/4M-1/4M OT-57 USA	RACCORDO 1/4M-1/4M OT-57 USA	
08000026	CALIBRATED SPRING D11.4 F1.5 5.25S NEPLAX VALVE 95	MOLLA TARATA D 11.4 F1.5 5.25SVALVOLA NEPLAX 95	
09000018	DISPENSING SPHERE TAP 1/4 M-F "BUTTERFLY"	RUBINET. SFERA DISTRIBUTORE 1/4 M-F A FARFALLA	
09100011	GAUGE SCALE 0-16 BAR 1/8 D.60 VICTORIA ARDUINO	MANOMETRO SCALA 0-16 BAR 1/8 D.60 VICTORIA ARDUIN	
98004016	S/S FILTER D12	FILTRO INOX DIAM. 12	
98012002	COMPLETE SMALL PISTON NEPLAX VALVE	PISTONCINO VALV.NEPLAX COMPL.	
98030075	CAPILLARY TUBE 1/8-1/4 0,9X2X400 GAUGE-PUMP	TUBO CAPILLARE 1/8-1/4 0,9X2X400 MANOM.-POMPA	
98030900	VALVE LEVEL - MANIFOLD TUBE VA358	TUBO E.V. LIVELLO-CROCIERA VA358	
98030904	DRAIN TUBE NEPLAX VA358	TUBO SCARICO NEPLAX VA358	
98030950	BOILER LOADING TUBE VA358 LEVA	TUBO CARICO CALDAIA VA358 LEVA	
98030952	MANIFOLD 2GR VA358 LEVA	CROCIERA 2GR. VA358 LEVA	
98030953	MANIFOLD 3GR VA358 LEVA	CROCIERA 3GR. VA358 LEVA	
98030957	BOILER-MANOMETER PIPE	TUBO CALDAIA - MANOMETRO VA358 LEVA	

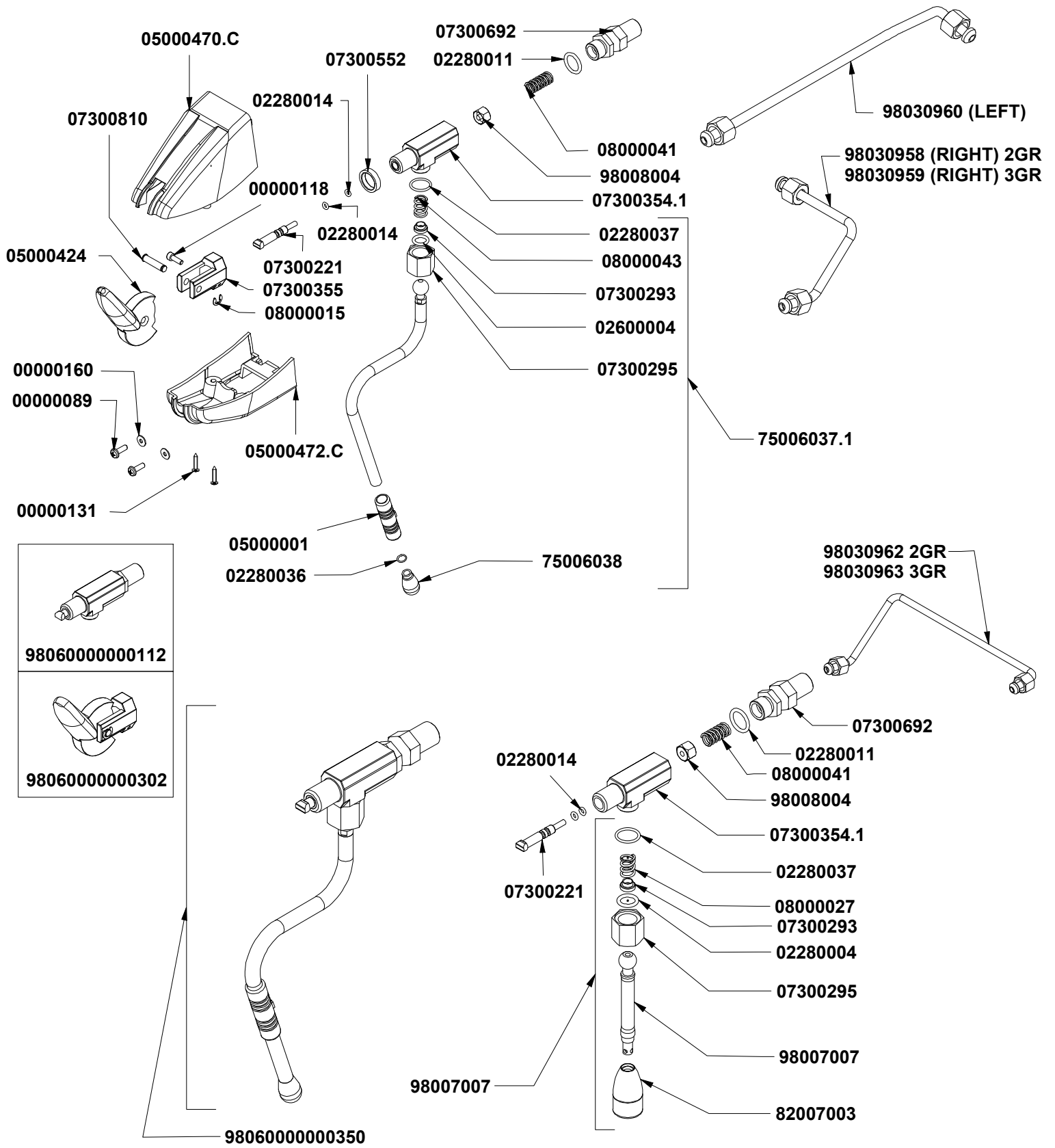


INSPIRED BY YOUR PASSION.



VERSIONE LEVA
LEVA VERSION

COMP. VAPORE E ACQUA CALDA
STEAM & HOT WATER PARTS





VERSIONE LEVA
LEVA VERSION

COMP. VAPORE E ACQUA CALDA
STEAM & HOT WATER PARTS

COD.	DESCRIPTION	DESCRIZIONE	VAL.
00000089	S/S CROSSHEAD CAP SCREW M4x12 DIN7985	VITE INOX M4X12 TC TCR DIN7985	
00000118	S/SHX SOCKET CAP SCREW M4x12 5931	VITE INOX M4X12 TCEI 5931	
00000131	SS SELF-TAPPING CROSS HEAD CAP SCREW 3.9x16	VITE AUTOF INOX 3,9X16 TC /TCR	
00000160	S/S WASHER D4X12 UNI 6593	RONDELLA INOX D4X12X1 UNI 6593	
02280004	GASKET O RING 115 D17 EP 856 x SWIVEL STEAM PIPE	GUARN. OR 115 D.17 EP856 SNODO LANCIA	
02280011	GASKET O RING R11 D19 EP 851	GUARN. OR R11 D19 EP 851	
02280014	GASKET GASKET O RING D.7 AN2/OR102 SILICON	GUARN. OR D7 AN2/OR102 SILICON7XL1715	
02280036	O RING STEAM WAND NOZZ. D6x1.2 EPDM70	GUARN. OR BECCO LANCIA VAP. DI 6X1.2 EPDM70	
02280037	GASKET O RING JOINT LOCK 16x2 NBR70	GUARN. OR CHIUSURA SNODO 16X2 NBR70	
02600004	O RING 15,2x10,2x2,5 TEFLON x STEAM WAND SPHERE	GUARN. OR 15,2X10,2X2,5 TEFLONX SFERA LANCIA VAPC	
05000001	RUBBER PROTECTION FOR STEAMWAND D10	GOMMINO PROTEZIONE LANCIA D.10	
05000424	STEAM TAP HANDLE VA388	MANOPOLA VAPORE VA388	
05000470.C	UPPER STEAM WAND COVER CHROME VA358	COPRI RUBINETTO VAPORE SUP. VA358 CROMATO	
05000472.C	LOWER STEAM WAND COVER CHROME VA358	COPRI RUBINETTO VAPORE INF. VA358 CROMATO	
07300221	S/S STEAMTAP ROD	ASTA INOX RUBINETTO VAPORE	
07300293	ARTICULATED BUSHING AG.25.06.96 OT-57	BUSSOLA SNODO AG.25.06.96 OT-57	
07300295	NUT FITTING 3/8 H=21 BRASS-NICKEL ART.WAND	DADO RACC. 3/8 H=21 LANCIA SNODATA	
07300354.1	STEAM TAP BODY FOR ART. BRASS WAND OT-57	CORPO RUB. VAPORE X LANC. SNODO OT-57	
07300355	TAP FORK 99 BRASS OT-58	FORCELLA RUBINETTO 99 OTTONE OT-58	
07300552	BIG WASHER PTFE TAP LEVER OPENING ADONIS	RONDELLA GRANDE PTFE RUBINETTO APERTURA A LEV	
07300692	SPRING HOLDER PLUG STEAM WAND ADONIS OT-57	TAPPO PORTAMOLLA RUB.VAP. ADONIS OT-57	
07300810	STEAM TAP PIN AURELIA IIOT-58	SPINOTTO RUB.VAPORE AURELIA IIOT-58	
08000015	S/S SEEGER RING TYPE RS 5 UNI7434	ANELLO SEEGER TIPO RS 5 INOX UNI7434	
08000027	WAND SPRING	MOLLA PER LANCIA SNODATA	
08000041	STEAM TAP SPRING 7 ST 11,5X8,5X22	MOLLA 7 ST 11,5X8,5X22 RUB.VAPORE	
08000043	SPRING FOR ARTICULATED WAND D.1.6 D.11.9x16.2	MOLLA PER LANCIA SNODATA FILO D.1.6 D.11.9X16.2 4 SF	
75006037.1	S/S ARTICULATED STEAMWAND KIT W/ 1,5mm NOZZLE	KIT LANCIA VAPORE SNODATA INOX INCLINATA CON BEC	
75006038	STEAM NOOZLE M8,65x0,75 F. 1,5 ROUNDED	BECCO VAPORE M8,65X0,75 F. 1,5 BONBATO	
82007003	HOTWATER DIFFUSER D23,5 F1/8	ROMPIGETTO ACQUA CALDA D.23,5 F 1/8"	
98007007	S/S HOTWATER WAND KIT L100 HIGH W/ DIFFUSER	KIT LANCIA ACQUA C. INOX L=100COMPL. DI ROMPIGETTI	
98008004	COMPLETE STEAM VALVE PISTON	PISTONCINO CHIUSURA COMPLETO	
98030958	BOILER-STEAM RIGHT PIPE 2GR	TUBO CALDAIA - VAPORE DX 2GR. VA358 LEVA	
98030959	BOILER-STEAM RIGHT PIPE 3GR	TUBO CALDAIA - VAPORE DX 3GR. VA358 LEVA	
98030960	BOILER-STEAM LEFT PIPE 2-3GR	TUBO CALDAIA - VAPORE SX 2-3GR. VA358 LEVA	
98030962	BOILER-HOT WATER WAND 2GR	TUBO CALDAIA - LANCIA ACQUA CALDA 2GR. VA358 LEVA/	
98030963	BOILER-HOT WATER WAND 3GR	TUBO CALDAIA - LANCIA ACQUA CALDA 3GR. VA358 LEVA/	
98060000000112	STEAM TAP SET W/O WAND VA388-VA358	ASS. RUBINETTO VAPORE SENZA LANCIA VA388-VA358	
98060000000302	STEAM TAP LEVER SET VA388-VA358	ASSIEME LEVA PER RUBINETTO VAPORE VA388 - VA358	
98060000000350	STEAM WAND +TAP SET VA358	ASS. RUBINETTO VAPORE + LANCIA VAPORE VA358	

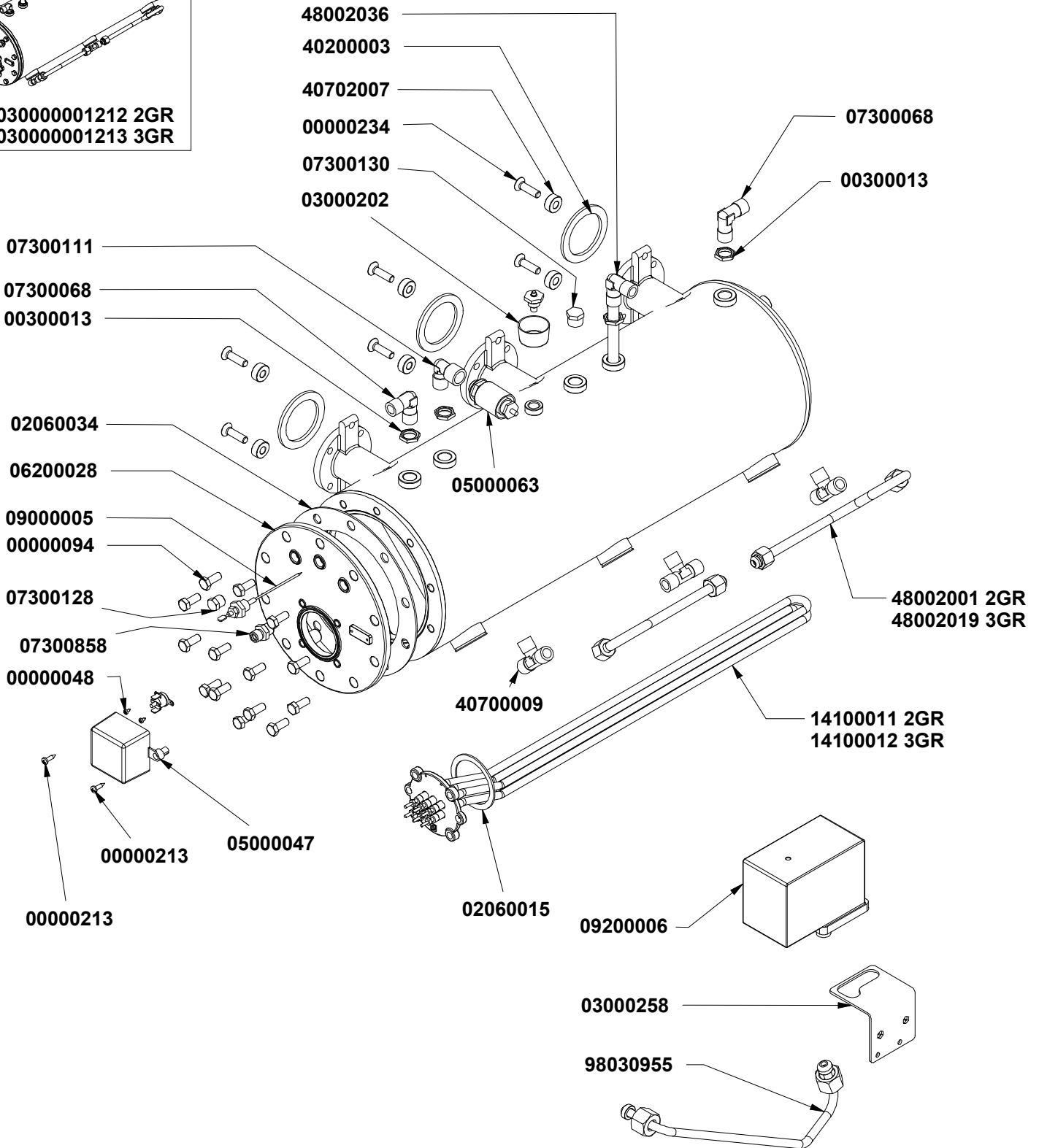
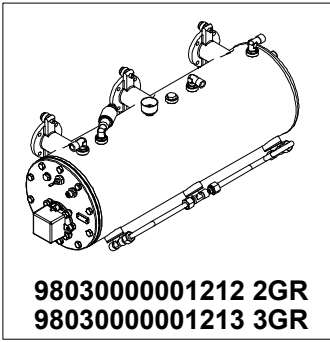


INSPIRED BY YOUR PASSION.



VERSIONE LEVA
LEVA VERSION

PARTI CALDAIA
BOILER PARTS





VERSIONE LEVA
LEVA VERSION

PARTI CALDAIA
BOILER PARTS

COD.	DESCRIPTION	DESCRIZIONE	VAL.
00000048	SELF-TAPPING SCREW 2.9x4.5 TC/T.CR.	VITE AUTOF 2,9X4,5 TC/T.CR.	
00000094	S/S HEX CAP SCREW M8x20 5739	VITE INOX M8X20 TE 5739	
00000213	GALV SELF-TAPPING SCREW 4,2x16 TC T.CR.	VITE AUTOF 4,2X16 TC T.CR. ZIN	
00000234	S/S HEX SOCKET CAP SCREW M8x30 ISO10642	VITE INOX M8X30 TPSEI ISO10642	
00300013	BRASS NUT 3/8 GAS D4 CH20 ADD 22.07.96	DADO OT 3/8 GAS SPESS.4 CH20 AGG.22.07.96	
02060015	GASKET FOR HEATING ELEMENT 067x054x2	GUARNIZIONE PTFE 067X054X2	
02060034	FLANGE GASKET D200X150X2	GUARN. FLANGIA D200X150X2 *	
03000202	CONDENSATION TRAY MASTER	VASCHETTA RACCOGLI CONDENSA AGG. 07.06.97	
03000258	PRESSURE SWITCH SUPPORT P/1-MAC 1	SUPPORTO PRESSOSTATO P/1-MAC1	
05000047	SQAURE RESISTANCE COVER V0	COPRI RESISTENZA QUADRATA V0	
05000063	SAFETY VALVE COVER PA6	COPRI VALVOLA SICUREZZA PA6	
06200028	CLOSING FLANGE D205 PR.	FLANGIA CHIUSURA D205 PR. #	
07300068	FITTING L 3/8 M-M CYLIN	RACCORDO L 3/8 M-M CILIN.	
07300111	L FITTING 3/8 M-F 458 ADD. 18.02.97	RACCORDO L 3/8 M-F 458 AGG. 18.02.97	
07300128	PLUG 1/4 GAS	TAPPO 1/4 GAS OT-57	
07300130	PLUG 3/8 GAS ES 17<	TAPPO 3/8" GAS ES 17 <	
07300858	FITTING 1/4M-1/4M OT-57 USA	RACCORDO 1/4M-1/4M OT-57 USA	
09000005	COMPLETE AUTOLEVEL PROBE L=130	SONDA AUTOLIVELLO COMP. L=130	
09200006	MACHINE PRESSO GAUGE CE/UL TRIF. 30A 400V	PRESSOSTATO MACCHINA CE/UL TRIF. 30A 400V 0,5-1,4B	
14100011	HEATING ELEMENT 3000W PR/2 GR.	RESISTENZA 3000W PR/ 2 GR.	
14100012	HEATING ELEMENT 5000W PR/3-4 GR.	RESISTENZA 5000W PR/3-4 GR.	
40200003	TEFLON GASKET HEATING ELEMENT 57x42xh3	GUARNIZ. TEFLON RESISTENZA 57X42XH3	
40700009	T FITTING 3/8 M-M-M 464	RACCORDO A T 3/8 M-M-M 464	
40702007	BRASS WASHER 20X7X8.5	RONDELLA OT 20X7X8,5	
48002001	2 GR EXCHANGER CONNECTION TUBE - ATHENA CL	TUBO COLL.SCAMBIATORI 2 GRUPPI MOD. ATHENA CLAS	
48002019	EXCHANGER CONNECTION TUBE - 3GR ATHENA CLAS	TUBO COLLEGAMENTO SCAMBIATORI -3 GR.MOD.ATHEN	
48002036	LIFT PIPE FOR HOT WATER ATHENA LEVA +	TUBO PESCAGGIO ACQUA CALDA ATHENA LEVA + RACC	
98030000001212	BOILER SET VA358 2GR LEVER	ASSIEME CALDAIA VA358 2GR. LEVA	
98030000001213	BOILER SET VA358 3GR LEVER	ASSIEME CALDAIA VA358 3GR. LEVA	
98030955	BOILER-PRESSURE SWITCH PIPE	TUBO CALDAIA - PRESSOSTATO VA358 LEVA	

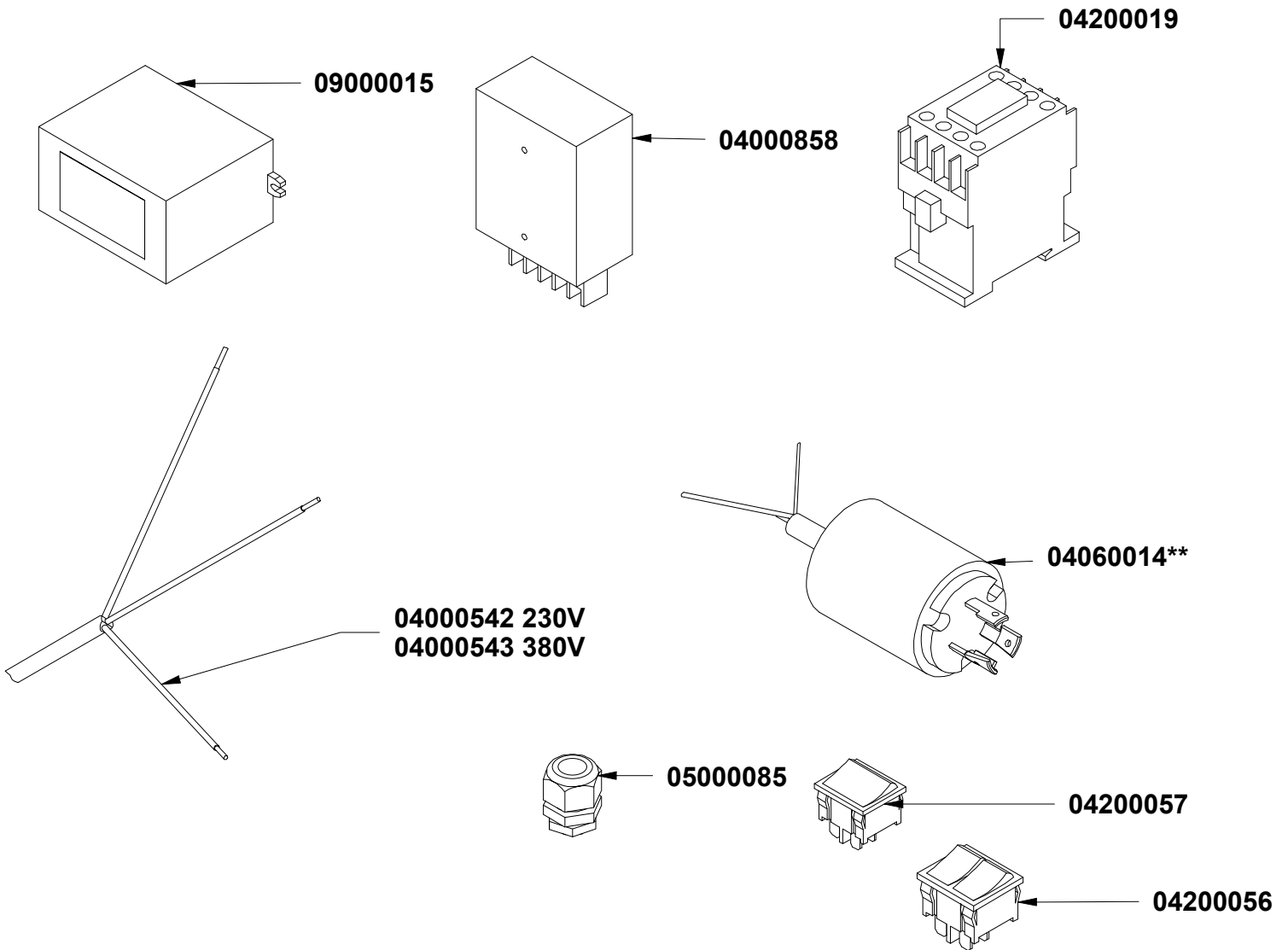


INSPIRED BY YOUR PASSION.



VERSIONE LEVA
LEVA VERSION

COMP. ELETTRICI ED ELETTRONICI
ELECTR. AND ELECTRICAL PARTS



CODE	DESCRIPTION	DESCRIZIONE
04200019	COMPLETE WIRING 2-3GR	CABLAGGIO COMPLETO 2-3GR
04001110	WIRING POWER TRANSF. LIGHTS	CABLAGGIO TRASFORMATORE LUCI
04000860	ELECTRICAL STRIP LED	IMPIANTO STRIP LED
04000340	BRIDGE TRANS. FROM 230V TO 380V	PONT. TRASF. DA 230V A 380V

**North America Market
Mercato Nord America



VERSIONE LEVA
LEVA VERSION

COMP. ELETTRICI ED ELETTRONICI
ELECTR. AND ELECTRICAL PARTS

COD.	DESCRIPTION	DESCRIZIONE	VAL.
04000340	BRIDGE TRANSFORMATION 380V TO 220V AURELIA-APPI	PONTICELLO TRASF. ALIMENTAZ. DA 380V A 230V AUREL	
04000542	ELECTRICAL CABLE 3x4 H07RN-F 2mt450/750V CB ICEL	CAVO ELETTR. 3X4 H07RN-F 2MT450/750V CB -> ICEL <-	
04000543	ELEC. CABLE 5x2,5 H07RN-F CB450/750V 2,5mt ICEL	CAVO ELETTR. 5X2,5 H07RN-F CB450/750V 2,5MT ICEL	
04000858	TRASF. LED RETRO IN:100/240V OUT:12V CE/UL 15W	TRASF. LED RETRO IN:100/240V OUT:12V CE/UL 15W RS-1	
04000860	ELECTRICAL SYSTEM STRIP LED LOGO ADONIS	IMP. ELETTRICO STRIP LED LOGO ADONIS	
04001110	POWER SUPPLY WIRING LIGHT TRANSFORMER VA358	CABLAGGIO ALIMENTAZ.TRASF.LUCI VA358	
04060014	CABLE+PLUG AWG3x12 SJO UL/CSA 30A 250V	CAVO ALIM. AWG3X12 SJO 90°C UL/CSA 2MT	
04200019	4POLE CONTACTOR 25A CE/UL 230V COIL	CONTATTORE QUADRIPOLORE 25A CE/UL BOBINA 230V	
04200056	DBL POWER SWITCH 10A UL 22X19 AURELIA	INTERRUT. ACCENSIONE DOPPIO 10A UL 22X19 "AURELIA"	
04200057	DBL POWER BIPOLAR BIG SWITCH 10A UL 22X19	INTERRUT. ACCENSIONE BIPOL. GRANDE 10A UL 22X19	
05000085	CABLEGLAND TEC-S M20 D.7-14 CON DADO P-CT M20 Es:	PRESSACAVO TEC-S M20 D.7-14 CON DADO P-CT M20 ES	
09000015	AUTOLEVEL CONTROL BOARD 230V	CENTRALINA AUTOLIVELLO 230V	
09000015	AUTOLEVEL CONTROL BOARD 230V	CENTRALINA AUTOLIVELLO 230V	

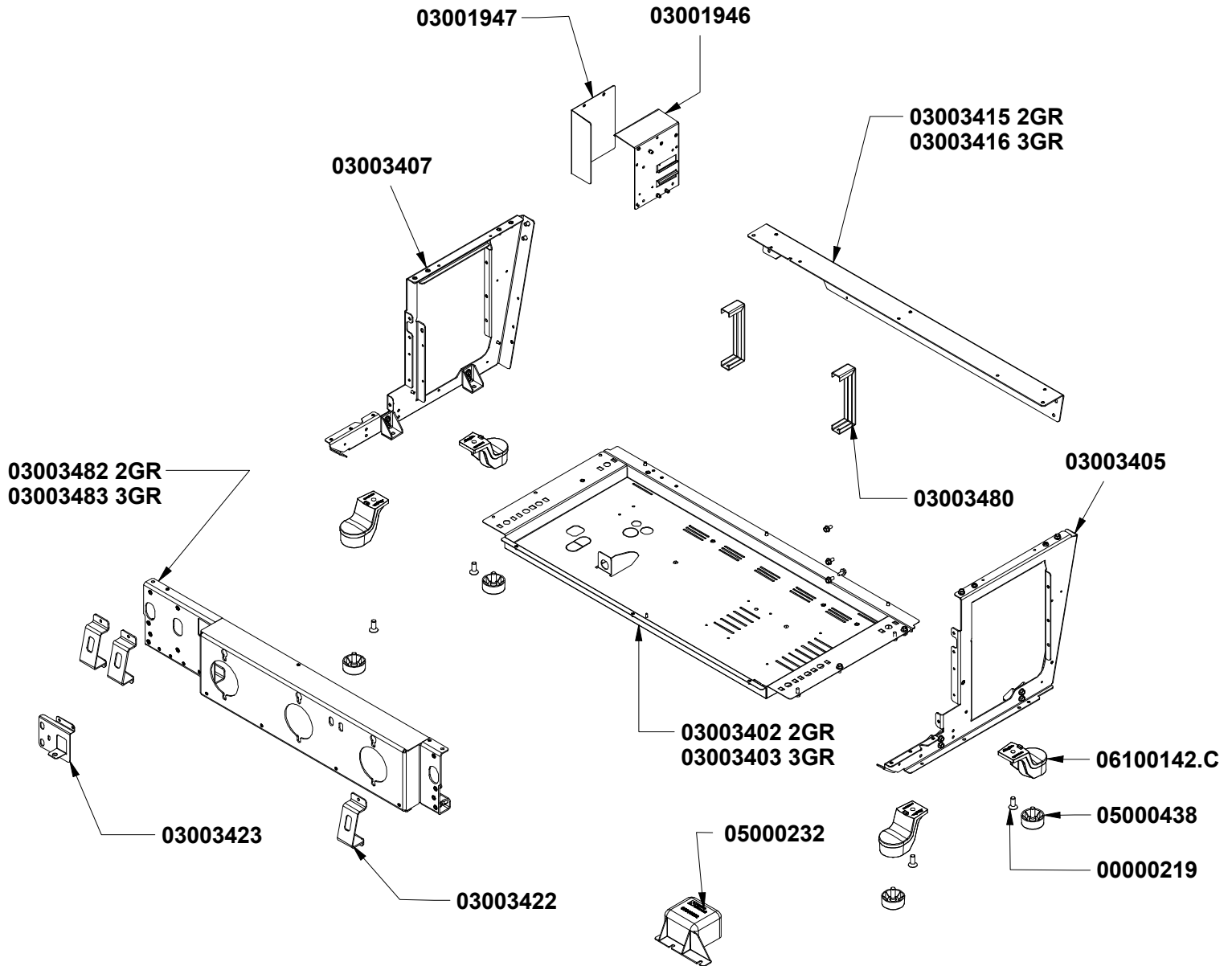


INSPIRED BY YOUR PASSION.



VERSIONE LEVA
LEVA VERSION

COMPONENTI TELAIO
FRAME PARTS





VERSIONE LEVA

LEVA VERSION

COMPONENTI TELAIO

FRAME PARTS

COD.	DESCRIPTION	DESCRIZIONE	VAL.
00000219	S/S HEX SOCKET CAP SCREW M10 x 25	VITE INOX M10X25 TSPEI	
03001946	SWITCHBOARD RELAY SUPPORT PLATE APPIA	LAMIERA SUPPORTO CENTRALINA E TELERUTTORE APP	
03001947	SWITCHBOARD LOCK SUPPORT CENTRAL PLATE APPIA	LAMIERA CHIUSURA SUPPORTO CENTRALINA APPIA	
03003402	MAIN BASE 2GR VA358	BASAMENTO PORTANTE 2GR. VA358	
03003403	MAIN BASE 3GR VA358	BASAMENTO PORTANTE 3GR. VA358	
03003405	RIGHT SIDE FRAME PANEL VA358	FIANCO TELAIO DX VA358	
03003407	LEFT SIDE FRAME PANEL VA358	FIANCO TELAIO SX VA358	
03003415	UPPER BACK SUPPORT 2GR VA358	LAMIERA SUPER. POSTERIORE 2GR. VA358	
03003416	UPPER BACK SUPPORT 3GR VA358	LAMIERA SUPER. POSTERIORE 3GR. VA358	
03003422	STEAM WAND SUPPORT PLATE VA358	LAMIERA SUPP. RUBINETTO VAPORE VA358	
03003423	SUPPORT PLATE PRESSURE GAUGE VA358	LAMIERA SUPP. MANOMETRO VA358	
03003480	BOILER SUPPORT	SUPPORTO CALDAIA VA358 LEVA	
03003482	GROUP HOLDER WALL 2GR	PARETE PORTAGRUPPI 2GR. VA358 LEVA	
03003483	GROUP HOLDER WALL 3GR	PARETE PORTAGRUPPI 3GR. VA358 LEVA	
05000232	SQUARE SWITCH COVER	COPRI INTERRUTTORE QUADRATO	
05000438	BICOMPONENT MACHINE FOOT D50 H24 M10MALE INSEF	PIEDE MACCHINA BICOMPONENTE D.50 H=24 INSERTO M	
06100142.C	CHROMED FOOT VA358	PIEDE VA358 CROMATO	



INSPIRED BY YOUR PASSION.

Victoria Arduino



INSPIRED BY YOUR PASSION.

Simonelli Group s.p.a.

Via E. Betti, 1 - 62020 Belforte
del Chienti - (MC) Italy

Tel. +39 0733.950243 - Fax +39
0733.850247

e-mail: info@victoriaarduino.com
com www.victoriaarduino.com