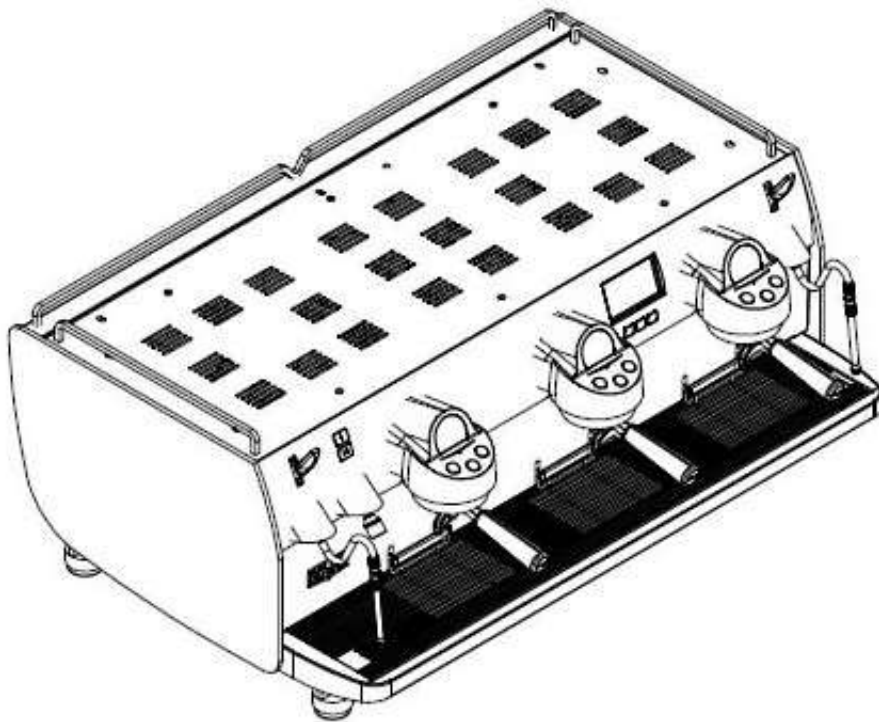


SPARE PARTS BOOK

BLACK EAGLE MAVERICK



05/05/2022

Victoria Arduino

INSPIRED BY YOUR PASSION.



INSPIRED BY YOUR PASSION.

- T.01 **CABINET PARTS**
COMPONENTI GRUPPO CARENA
- T.02 **CONTROL PANEL DISPLAY**
INVOLUCRO COMANDI DISPLAY
- T.03 **POURING GROUP PARTS**
COMP. GRUPPO EROGAZIONE
- T.04 **HYDRAULIC PARTS**
COMPONENTI IDRAULICI
- T.05 **STEAM & HOT WATER PARTS**
COMP.VAPORE E ACQUA CALDA
- T.06 **EASYCREAM PARTS**
COMPONENTI EASYCREAM
- T.07 **HYDRAULIC GROUP PARTS**
COMP. GRUPPO IDRAULICO
- T.08 **BOILER PARTS**
COMPONENTI CALDAIA
- T.09 **FRAME PARTS**
COMPONENTI TELAIO
- T.10 **AUTOMATIC SCALE PARTS**
COMPONENTI BILANCIA
- T.11 **ELECTRONIC PARTS**
COMPONENTI ELETTRONICI

» LEGEND :

THE CODES WRITTEN IN BOLD REFER TO THE COMPONENTS
EMPLOYED CURRENTLY.

THE CODES USED BEFORE ARE WRITTEN IN CURSIVE WITH INDICATED,
ON THE SIDE, THE END OF VALIDITY DATE.

EXAMPLE:

03001531 - 01/09/2007

03001531



INSPIRED BY YOUR PASSION.

T.12 **ELECTRIC PARTS**
 COMPONENTI ELETTRICI

» LEGEND :

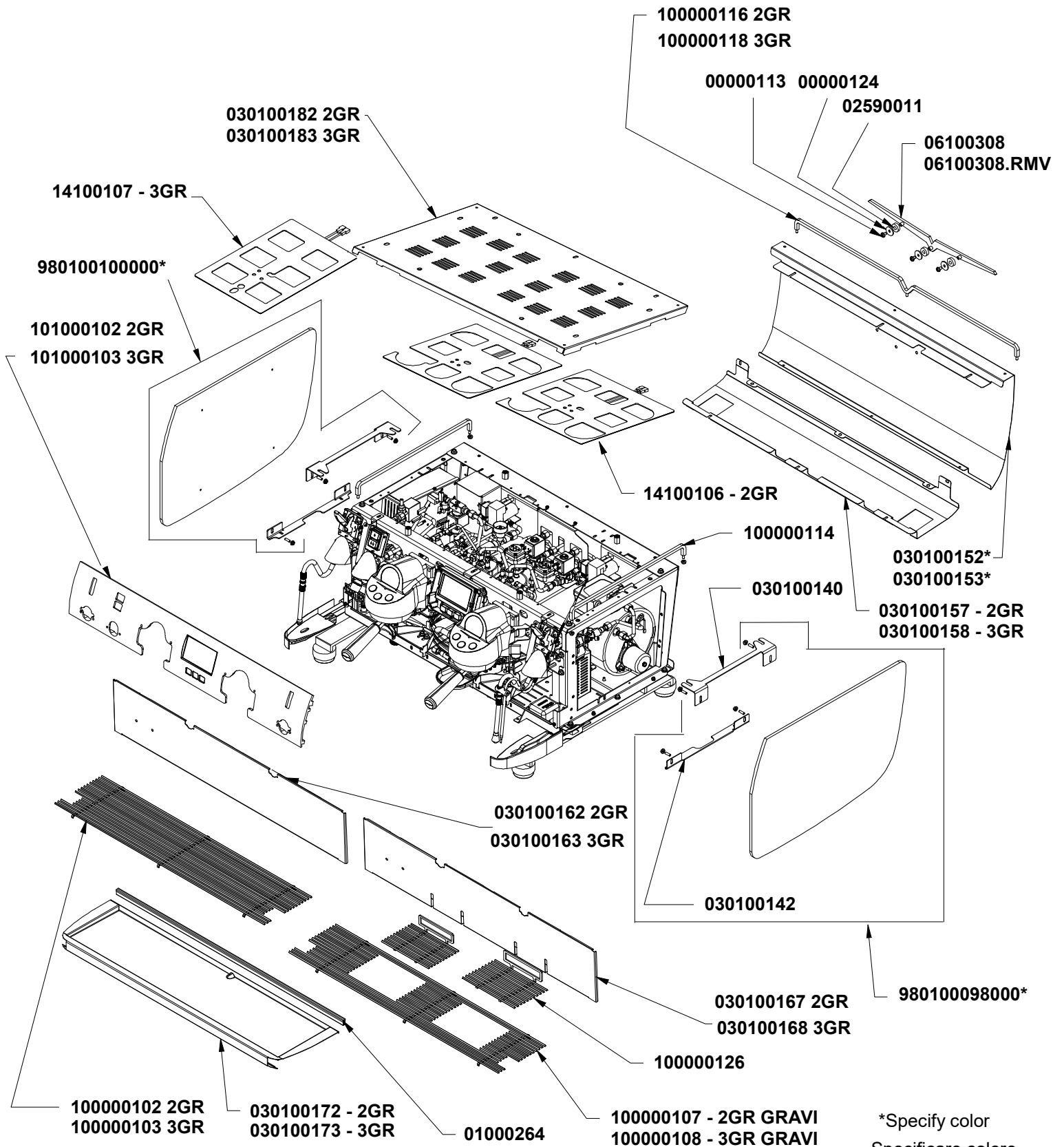
THE CODES WRITTEN IN BOLD REFER TO THE COMPONENTS
EMPLOYED CURRENTLY.

THE CODES USED BEFORE ARE WRITTEN IN CURSIVE WITH INDICATED,
ON THE SIDE, THE END OF VALIDITY DATE.

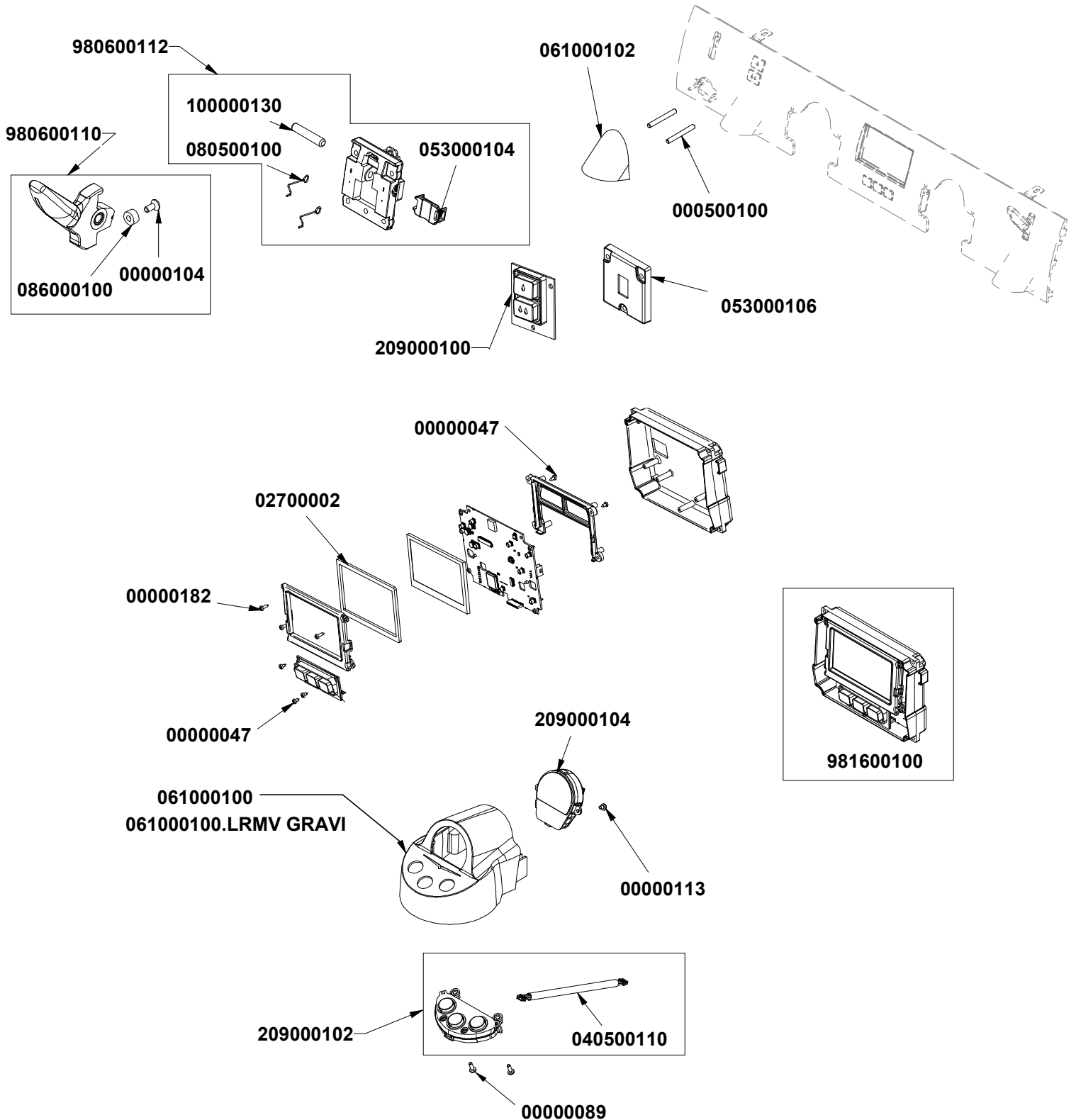
EXAMPLE:

0300153I - 01/09/2007

0300153I



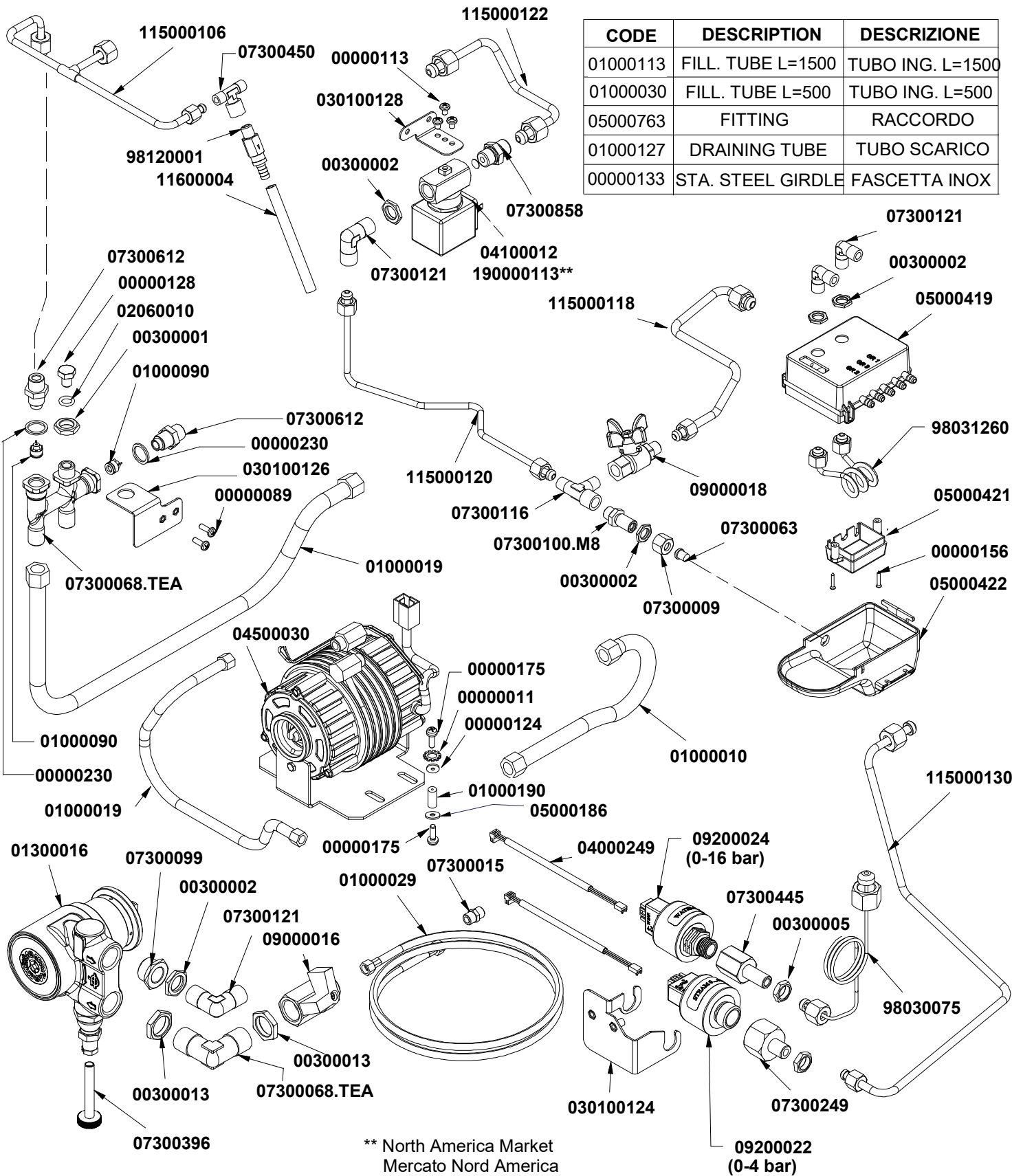
COD.	DESCRIPTION	DESCRIZIONE	VAL.
00000113	S/S CROS SHEAD CAP SCREW M4x6 7985	VITE INOX M4x6 TC T.CR. 7985	
00000124	GALV WASHER D4 3x16x1.5	RONDELLA AQ D4.3x16x1.5 ZINC.	
01000264	WIRED GASKET FOR PLATE VA388	GUARNIZIONE TRAFILATO ARMATO PER PIATTO VA388INS	
02590011	PISTON GASKET 14,4X6X4,5 SIL RED SR80	GUARNIZ.PISTONCINO 14,4X6X4,5 SILICONE ROSSO SR 80	
030100167	LOWER FRONT PANEL 2GR MAVERICK FOR SCALES	PARETE FRONTALE INF. 2GR MAVERICK PER BILANCE	
030100168	LOWER FRONT PANEL 3GR MAVERICK FOR SCALES	PARETE FRONTALE INF. 3GR MAVERICK PER BILANCE	
030100140	UPPER SUPPORT FRAME MAVERICK	SUPPORTO SUPER. CARENA FIANCO MAVERICK	
030100142	LOWER SUPPORT FRAME MAVERICK	SUPPORTO INFER. CARENA FIANCO MAVERICK	
030100152.BSV	BACK PANEL 2GR BLUE MAVERICK	CARENA RETRO 2GR MAVERICK BLUE STONE VERNIC.	
030100152.BV	BACK PANEL 2GR WHITE MAVERICK	CARENA RETRO 2GR MAVERICK BIANCO VERNIC.	
030100152.NOV	BACK PANEL 2GR MATT BLACK MAVERICK	CARENA RETRO 2GR MAVERICK NERO OPACO VERNIC.	
030100153.BSV	BACK PANEL 3GR BLUE MAVERICK	CARENA RETRO 3GR MAVERICK BLUE STONE VERNIC.	
030100153.BV	BACK PANEL 3GR WHITE MAVERICK	CARENA RETRO 3GR MAVERICK BIANCO VERNIC.	
030100153.NOV	BACK PANEL 3GR MATT BLACK MAVERICK	CARENA RETRO 3GR MAVERICK NERO OPACO VERNIC.	
030100157	LOWER BACKSIDE FRAME 2GR MAVERICK	CARENA RETRO INFERIORE 2GR MAVERICK	
030100158	LOWER BACKSIDE FRAME 3GR MAVERICK	CARENA RETRO INFERIORE 3GR MAVERICK	
030100162	LOWER FRONT PANEL 2GR MAVERICK	PARETE FRONTALE INF. 2GR MAVERICK	
030100163	LOWER FRONT PANEL 3GR MAVERICK	PARETE FRONTALE INF. 3GR MAVERICK	
030100172	DRAIN TRAY 2GR MAVERICK	PIATTO RACCOGLIACQUA 2GR MAVERICK	
030100173	DRAIN TRAY 3GR MAVERICK	PIATTO RACCOGLIACQUA 3GR MAVERICK	
030100182	UPPER CUPWARMER GRILL 2GR MAVERICK	PORTATAZZE SUPER. 2GR MAVERICK	
030100183	UPPER CUPWARMER GRILL 3GR MAVERICK	PORTATAZZE SUPER. 3GR MAVERICK	
06100308	BACKSIDE EAGLE LOGO EAGLE ONE SHINY ALLUMINUM	LOGO AQUILA POSTERIORE EAGLE ONE ALLUMINIO LUCID	
100000102	WORKTOP GRID 2GR MAVERICK	RETINA PIANO LAVORO 2GR MAVERICKTRIANGOLARE	
100000103	WORKTOP GRID 3GR MAVERICK	RETINA PIANO LAVORO 3GR MAVERICKTRIANGOLARE	
100000107	WORKTOP GRID 2GR MAVERICK GRAVIMETRIC	RETINA PIANO LAVORO 2GR MAVERICK GRAVTRIANGOLA	
100000108	WORKTOP GRID 3GR MAVERICK GRAVIMETRIC	RETINA PIANO LAVORO 3GR MAVERICK GRAVTRIANGOLA	
100000114	BACKSIDE BAR CUPWARMER MAVERICK	BARRA LATERALE SCALDATAZZE MAVERICK	
100000116	BACK BAR CUPWARMER 2GR MAVERICK	BARRA POSTERIORE SCALDATAZZE 2GR MAVERICK	
100000118	BACK BAR CUPWARMER 3GR MAVERICK	BARRA POSTERIORE SCALDATAZZE 3GR MAVERICK	
100000126	SCALE GRILL MAVERICK	RETINA BILANCIA MAVERICK	
101000102	LOWER FRONT PANEL 2GR CROMO	PARETE FRONTALE 2GR MAVERICK CROMO	
101000103	LOWER FRONT PANEL 3GR CROMO	PARETE FRONTALE 3GR MAVERICK CROMO	
14100106	ADHESIVE SILICONE HEATING ELEMENT - SIDE CUPWARMER	RESISTENZA ADESIVA IN SILICONE SCALDATAZZE LATERE	
14100107	ADHESIVE SILICONE HEATING ELEMENT - CENTRAL CUPWARMER	RESISTENZA ADESIVA IN SILICONE SCALDATAZZE CENTR	
980100098001	RIGHT SIDE PANEL STEELUX MAVERICK	ASS. FIANCO DX MAVERICK STEELUX	
980100098002	RIGHT SIDE PANEL MATT BLACK MAVERICK	ASS. FIANCO DX MAVERICK NERO OPACO	
980100098003	RIGHT SIDE PANEL WHITE MAVERICK	ASS. FIANCO DX MAVERICK BIANCO	
980100098004		ASS. FIANCO DX MAVERICK BLUE STONE	
980100100001	LEFT SIDE PANEL STEELUX MAVERICK	ASS. FIANCO SX MAVERICK STEELUX	
980100100002	LEFT SIDE PANEL MATT BLACK MAVERICK	ASS. FIANCO SX MAVERICK NERO OPACO	
980100100003	LEFT SIDE PANEL WHITE MAVERICK	ASS. FIANCO SX MAVERICK BIANCO	
980100100004		ASS. FIANCO SX MAVERICK BLUE STONE	



CODE	DESCRIPTION	DESCRIZIONE
040500118	USB CABLE	CAVO USB

COD.	DESCRIPTION	DESCRIZIONE	VAL.
00000047	CROSS HEAD/CAP SELF-TAPPING SCREW 2,9x6,5	VITE AUTOF 2,9x6,5 TC/T.CR.	
00000089	S/S CROSSHEAD CAP SCREW M4x12 DIN7985	VITE INOX M4x12 TC TCR DIN7985	
00000104	S/S CROSSHEAD COUNTERSUNK SCREW M4x10 DIN965	VITE INOX M4x10 TSP TCR DIN965	
00000113	S/S CROS SHEAD CAP SCREW M4x6 7985	VITE INOX M4x6 TC T.CR. 7985	
00000182	GALV CROSS HCS 3x10 DBL SPIRAL HILO TYPE UNI 9707	VITE TCTCR 3x10 DOPPIA ELICA HILO ZINC. UNI9707	
02700002	CARVED GASKET FOR DISPLAY BORDER AURELIA18	GUARNIZIONE FUSTELLATA CORNICE DISPLAY AURELIA18	
040500110	CONN.CABLE DISPENSING KEYPAD BOARD - DISPLAY BO	CAVO COLLEG. SCHEDA EROG.-SCHEDA DISPLAY MAVERI	
040500118	USB CABLE MAVERICK	CAVO USB MAVERICK	
053000104	STEAM LEVER SENSOR CAP MAVERICK	TAPPO SENSORE LEVA VAPORE MAVERICK	
053000106	BOVER BOARD HOT WATER MAVERICK	COPERCHIO SCHEDA ACQUA CALDA MAVERICK	
061000100	GROUP COVER MAVERICK	COPRIRUPPO MAVERICK	
061000102	COVER SPACER HOT WATER - STEAM MAVERICK	COPRIRUBINETTO ACQUA CALDA-VAPORE MAVERICK	
086000100	MAGNET 3x05Ni-35SH	MAGNETE D10X04 3x05Ni-35SH	
100000130	ROTATING PIN STEAM LEVER MAVERICK	PERNO ROTAZIONE LEVA VAPORE MAVERICK	
209000100	KEYBOARD HOT WATER MAVERICK	TASTIERA ACQUA CALDA MAVERICK	
209000102	KEY DISPENSING KEYPAD BOARD MAVERICK WITH DISPL	SCHEDA EROGAZIONE MAVERICK CON CAVO COLL. DISPL	
209000104	DISPLAY BOARD DISPENSING GROUP MAVERICK	SCHEDA DISPLAY GRUPPO EROGAZ. MAVERICK	
980600110	STEAM LEVER KIT MAVERICK (NO SUPPORT)	ASS. LEVA VAPORE MAVERICK (SENZA SUPPORTO)	
980600112	SUPPORT STEAM LEVER KIT MAVERICK	ASS. SUPPORTO LEVA VAPORE MAVERICK	
981600100	DISPLAY WITH BOARD KIT + SERVICE KEYS MAVERICK	ASS. DISPLAY CON SCHEDA + TASTI SERVIZI MAVERICK	

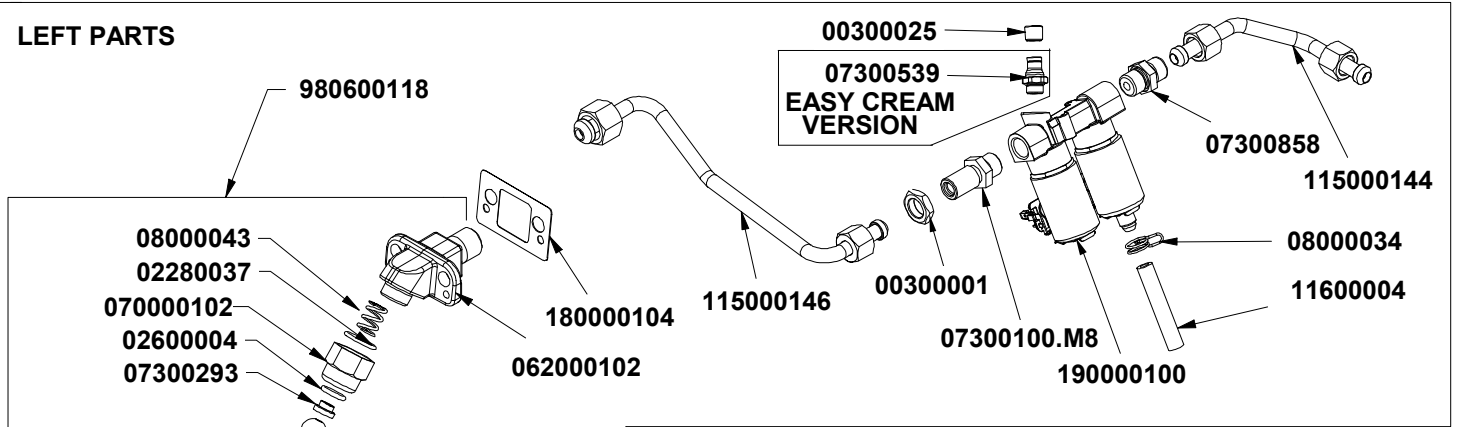
COD.	DESCRIPTION	DESCRIZIONE	VAL.
00000048	SELF-TAPPING SCREW 2.9x4.5 TC/T.CR.	VITE AUTOF 2,9x4,5 TC/T.CR.	
00000113	S/S CROS SHEAD CAP SCREW M4x6 7985	VITE INOX M4x6 TC T.CR. 7985	
00000118	S/SHEX SOCKET CAP SCREW M4x12 5931	VITE INOX M4x12 TCEI 5931	
00000168	S/S HEXAGON SOCKET HEAD SCREW M6x35 UNI 5931	VITE INOX M6x35 TCEI 5931	
00000175	S/S CROSS HEAD CAP SCREW M4X10	VITE INOX M4x10 TC TCR	
00000197	S/S HEX SOCKET CAP SCREW M6x8 ISO 4762	VITE INOX M6x8 TCEI ISO 4762	
00300021	S/S SLT COUNTERSUNK SCREW M6X18 DIN963	VITE INOX M6x18 TSP TC DIN963	
00300024	S/S GRUB SCREW M4X16 5923	GRANO INOX M4x16 5923	
02280012	GASKET O RING 2093 D.27 EP851	GUARN. OR 2093 D.27 VITON DF 801	
02280032	GASKET O RING 114 D15 EP 851	GUARN. OR 114 D.15 EP 851	
02280033	GASKET O RING 75,92x1,78 NBR XP70	GUARN. OR 75,92x1,78 NBR XP70 2300	
02280050	RED LONG LIFE CONICAL GASKET SHEATH(AURELIA-VA3	GUARNIZ. SOTTOCOPPA CONICA LONG LIFE - ROSSO(GRU	
025000100	GASKET O-RING 14,8x11,2x1,8	GUARN. OR 14,8X11,2X1,8	
03000004	SINGLE BRACKET FOR THERMOSTAT	STAFFA SINGOLA x TERMOSTATO	
03000004.1	DOUBLE BRACKET FOR THERMOSTAT	STAFFA DOPPIA x TERMOSTATO	
03000066.R	S/S SHOWER REINFORCED	DOCCIA INOX RINFORZATA Aisi304	
03000072	FILTER ONE COFFEE HIGH 7gr	FILTRO 1 CAFFE' ALTO 7gr.	
03000073	FILTER TWO COFFEE HIGH 14gr	FILTRO 2 CAFFE' ALTO 14gr.	
03000107	BLIND FILTER	FILTRO CIECO	
060000102	S/S 1WAY NOZZLE	BECCO 1 VIA INOX ATTACCO BAGLIONETTA	
180000106	BREWING GROUP-FRAME INSULATION KIT	KIT ISOLANTE GRUPPO EROGAZ.-TELAIO MAYLAR	
030300100	DISPENSING GROUP ANTI-INTRUSION BRACKET MAVERICK	STAFFA ANTINTRUSIONE GR. EROGAZ. MAVERICK	
04000198	FOIL HOLDER M 6.3 D 4.2 45°	PRESA LAMELLARE M 6.3 d4.2 45°	
04000332	EXT L=85 + FASTON F-F A FLAG AWG18 BROWN	CAVALLOTTO L=85 + FASTON F-F A BANDIERA AWG18MAR	
04100017	3WAY SOLENOID DIS BASE 1/8220-230V50/60Hz F1.5 CE	E.V. NC 3VIE BASETTA SCAR. 1/8220-230V 50/60HzRUBY F1	
04900991	GROUP TEMPERATURE PROBE PT1000 AURELIAII TFT	SONDA TEMPERATURA PT1000 GR. AURELIA II "DISPLAY A	
04901296	EXT CABLE INDUCTIVE SENSOR PORTAFILTER AURELIA1	PROLUNGA SENSORE INDUTTIVO "PRESENZA PORTAFILT	
060000104	S/S 2WAYS NOZZLE	BECCO 2 VIE INOX ATTACCO BAGLIONETTA	
06200081.2	GR RING OR CHRME OT-58 - P.FILTER SENSOR EAGLE ON	ANELLO GRUPPO +SEDE OR CROMATO OT-58 PER SENSO	
07300166	FLANGE BLOCK LOCK SOLENOID HOLDER ADD.07.07.03	FLANGIA CHIUSURA BLOCCHETTO PORTA ELETTROV.AGG	
07300183.1	GROUP DIFFUSER h=3 S/S Aisi316	PADIGLIONE GRUPPO h=3 INOX Aisi316	
07300864	FITTING 1/4M 1/8M + THREADED M6 Aisi316 + ORING POSI	RACCORDO 1/4M 1/8M + FILETT.M6 Aisi316 + SEDE OR	
08000017	S/S FILTER LOCKING SPRING	MOLLA BLOCCA FILTRO ACC.INOX	
08000034	HOSE CLAMP D12	FASCETTA STRINGITUBO D12	
09500002	AUTOMATIC THERMOSTAT 125°C WHITE DRIPPING	TERMOSTATO RIARMO AUTO. 125°C GOCCIOLATURA BIAN	
09500024	MANUAL THERMOSTAT 135°C TRIP FREE GREEN DRIPPIN	TERMOSTATO R.MAN. 135°C TRIP FREE GOCCIOLATURAVE	
11600007	RUBBER HOSE TT/NBR 8x12	TUBO GOMMA TT/NBR 8x12	
14100066	CARTRIDGE HEAT. ELEMENT D10x115 300W 230V	RESISTENZA A CARTUCCIA D10x115 300W 230V	
190000110	3 WAYS SOLENOID SMALL BASE SCAR. 1/8 208-240V 60Hz	E.V. NC 3VIE BASETTA SCAR. 1/8 208-240V 60Hz F1.5RUBY U	
98011002	ANODISED COFFEE TAMPER BRILLIANT WHITE VA 2009	PRESSA CAFFE' ANOD.ARGENTO V.A. '09	
980400101001	DISPENSING GROUP KIT MAVERICK	ASS. GR. EROG. MAVERICK	
980500120	S/S FILTER-HOLDER BODY + VA KNOB	CORPO PORTAFILTRO INOX ATT.BAGLION. + MANOPOLA V	
980500128	SLOPED PORTAFILTER + HANDLE VA	CORPO PORTAFILTRO NAKED + MANOPOLA VA	
98160000002090	PORTAFILTER PRESENCE SENSOR AURELIA18 W/CONNE	SENSORE PRESENZA PORTAFILTRO AURELIA18 COMPL. D	
982600000000950	REPLACEMENT KIT FOR FILTER HOLDER SENSOR + EXTE	KIT RICAMBIO SENSORE PRESENZA PORTAFILTRO+PROL	
KPFCP002	COMP. SLOPED FILTER HOLDER PURE BREW MAVERICK	PORTAFILTRO INCLIN.COMP. PURE BREW MAVERICKMANC	
KRFPB001	CONE FILTER PURE BREW	FILTRO CONO PURE BREW	



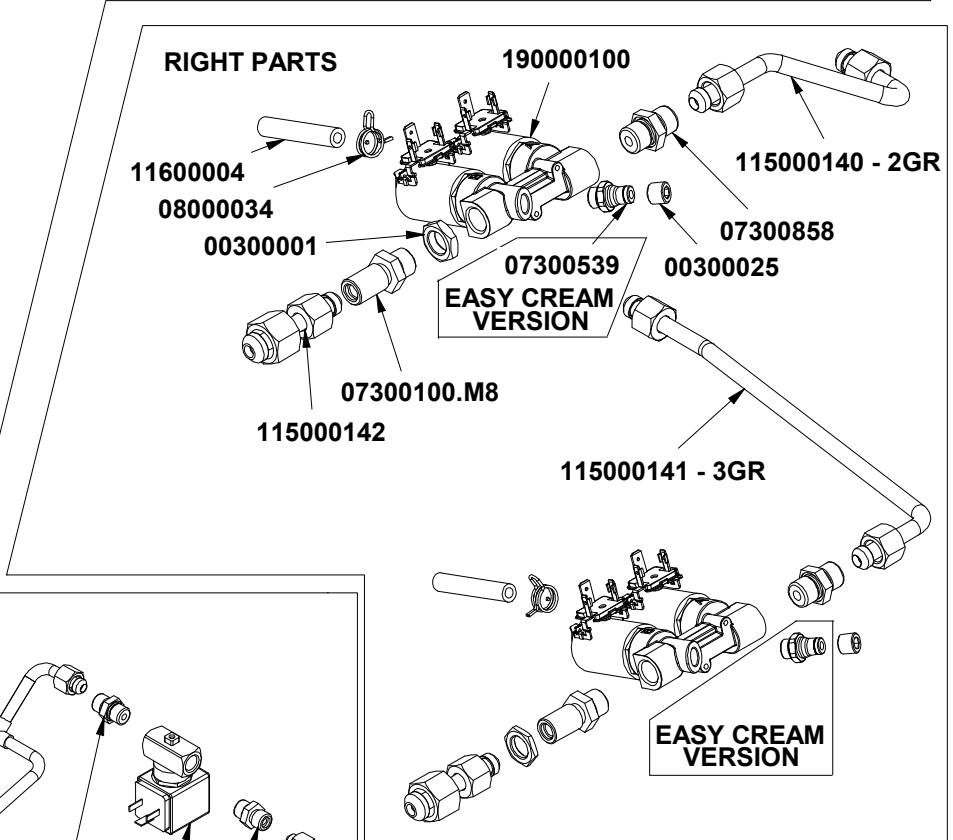
COD.	DESCRIPTION	DESCRIZIONE	VAL.
00000011	S/S KNURLED WASHER M4 UNI8842/A	RONDELLA INOX M4 ZIGRINATA UNI8842/A	
00000089	S/S CROSSHEAD CAP SCREW M4x12 DIN7985	VITE INOX M4x12 TC TCR DIN7985	
00000113	S/S CROS SHEAD CAP SCREW M4x6 7985	VITE INOX M4x6 TC T.CR. 7985	
00000124	GALV WASHER D4 3x16x1.5	RONDELLA AQ D4.3x16x1.5 ZINC.	
00000128	S/S HEX CAP SCREW M8x10 THREADED	VITE INOX M8x10 TE TUTTO FIL.	
00000133	S/S CLIP WD12 16-25 C7 W2	FASCETTA INOX WD12 16-25 C7 W2	
00000156	S/S SELF-THREADING SCREW 2.9x19 TCTCR	VITE AUTOF INOX 2.9x19 TC T.CRDIN7981	
00000175	S/S CROSS HEAD CAP SCREW M4X10	VITE INOX M4x10 TC TCR	
00000230	COPPER WASHER SEAL 14X18X1.5	RONDELLA GUARNIZIONE RAME RICOTTO 14x18x1.5	
00300001	BRASS NUT 1/4 GAS D5 CH18	DADO OT 1/4 GAS SPESS.5 CH18 *AGG. 22.07.96	
00300002	BRASS NUT 1/4 D3 CH18	DADO OT 1/4 SPESS.3 CH18 AGG. 22.07.96	
00300005	BRASS NUT 1/8 GAS D4 ADD 22.07.96 CH13	DADO OT 1/8 GAS AGG.22.07.96 SPESS.4 CH13	
00300013	BRASS NUT 3/8 GAS D4 CH20 ADD 22.07.96	DADO OT 3/8 GAS SPESS.4 CH20 AGG.22.07.96	
01000010	S/S FLEXIBLE TUBE 1/4 FF L=320	TUBO FLESS.INOX 1/4-F.F. L=320	
01000019	S/S FLEXIBLE TUBE 1/4 FF L= 500	TUBO FLESS.INOX 1/4 F.F. L=500	
01000029	S/S FLEXIBLE TUBE 3/8 FF L=1500	TUBO FLESS INOX 3/8 FF L=1500	
01000030	S/S FLEXIBLE TUBE 3/8 FF L=500	TUBO FLESS INOX 3/8 FF L=500	
01000090	RETAINING VALVE D10	VALVOLINA DI RITEGNO D.10	
01000113	S/S FLEXIBLE TUBE 3/8 90° 3/8 FF L1500	TUBO FLESS INOX 3/8 A 90 F. - 3/8 F. L=1500	
01000127	DIRECT SLEEVE DISCHARGE TUBE D19 L=2m	TUBO SCARICO CON MANICOTTO DIRITTO D.19 L= 2 m	
01000190	VIBRATION DAMPER D15x30 M4 FF	ANTIVIBRANTE CD15x30 M4 FF * KB *	
01300016	S/S VOLUMETRIC PUMP 200 Lt/h	POMPANTE VOLUMETRICO 200 lt/h ACCIAIO	
02060010	COPPER O RING 8.3x13x1.9 ND8	OR RAME 8,3x13xh1,9 DN8	
030100124	PRESSUR GAUGE SUPPORT MAVERICK	SUPPORTO PRESSOSTATI MAVERICK	
030100126	MANIFOLD SUPPORT MAVERICK	SUPPORTO CROCIERA MAVERICK	
030100128	SUPPORT SOLENOID SELF LEVEL MAVERICK	SUPPORTO E.V. AUTOLIVELLO MAVERICK	
04000249	3POLE CONN CABLE RAST 2.5/MOLEX L = 400mm for PSTY	CAVO COLL.3P RAST 2,5/MOLEX L.400mm x TRASDUTTORI	
04100012	2WAY SOLENOID 1/8-1/8 1/8 240V50/60hz F3 UL TH2xM5	E.V. NC 2VIE 1/4-1/4 220-230V 50/60HZ VITON F1.5CE PIEDIN	
04500030	ELECTRICAL ENGINE 230V 50/60Hz	MOTORE ELETTRICO 230V 50/60Hz RAFFREDDATO AD ACC	
05000186	H3 D6,3/20 NYLON INSERT OSCAR GROUP BLACK	INSERTO NYLON GR. OSCAR h3 D.6,3/20 NERO	
05000419	TRAY PLUG UNDER PLATE VA388 T.E.R.S.	TAPPO VASCHETTA SOTTO PIATTO VA388 PER T.E.R.S.	
05000421	INTERNAL CLOSURE TRAY TAP T.E.R.S.	CHIUSURA INTERNA TAPPO VASCHETTA PER T.E.R.S.	
05000422	DRIP TRAY UNDER PLATED VA388	VASCHETTA SOTTO PIATTO VA388	
05000763	CONNECTION 3/4 90°F FOR DRAINING TUBE	RACCORDO ATT. 3/4Fx19 90° x TUBO DI SCARICO	
07300009	NUT FITTING 1/4 GAS	DADO RACCORDO 1/4 GAS	
07300015	FITTING 3/8 3/8 GAS OT-58 ADD. 26.06.96	RACCORDO 3/8 3/8 GAS OT-58 AGG. 26.06.96	
07300063	CLOSED TERMINAL D11	TERMINALE CHIUSO D.11	
07300068.TEA	CYLINDRICAL ELBOW FITTING G3/8" M/M	RACCORDO L 3/8 M-M CILIN. OT-57 + TEATURA	
07300099	FITTING ADAPTER 3/8-1/4 ES. 20 ADD. 29.05.96	RIDUZIONE 3/8-1/4 ES.20 AGG. 29.05.96	
07300100.M8	DISCHARGE ATTACHMENT 1/4 1/4 + INT M8 OT-57 USA	ATTACCO SCAR. 1/4-1/4 + INT M8 OT-57 USA	
07300116	FITTING T 1/4 M-M-F OT-57	RACCORDO T 1/4 M-M-F OT-57	
07300121	FITTING L 1/4 M-M CYLIND ADD. 18.02.97	RACCORDO L 1/4 M-M CILINDRICOAGG. 18.02.97	
07300249	FITTING 1/8M L = 12 3/8F	RACCORDO 1/8M L=12 3/8F	
07300396	PUMPING REGISTER KNOW VA388-VA358	POMELLO REGISTRO POMPANTE VA388 - VA358	
07300445	FITTING 1/8M L = 20 1/4F for SENSOR	RACCORDO 1/8M L=20 1/4F x SENSORE	
07300450	FITTING T 1/8 M-F-M OT-57	RACCORDO T 1/8 M-F-M OT-57	
07300612	FITTING 1/4 1/4 GAS WITH ORING + RETURN VALVE LOCK	RACCORDO 1/4 1/4 GAS CON OR + BLOCCA VALVOLINARIT	

COD.	DESCRIPTION	DESCRIZIONE	VAL.
07300858	FITTING 1/4M-1/4M OT-57 USA	RACCORDO 1/4M-1/4M OT-57 USA	
09000016	SPHERE TAP - NETWORK CONNECTION 3/8 M-F MINI	RUBINET. SFERA ALLACCIO RETE 3/8 M-F MINI	
09000018	DISPENSING SPHERE TAP 1/4 M-F "BUTTERFLY"	RUBINET. SFERA DISTRIBUTORE 1/4 M-F A FARFALLA	
09200022	PRESSURE TRANSDUCER 0-4 BAR 3/8	TRASDUTTORE DI PRESSIONE 0-4 BAR 3/8	
09200024	PRESSURE TRANSDUCER 0-16 BAR 1/4	TRASDUTTORE DI PRESSIONE 0-16 BAR 1/4	
115000106	MANIFOLD TUBE - FLOWMETER + E.V. MIXER	TUBO CROCIERA - COLL. DOSATORI+ EV MISCELATOREMA	
115000118	BOILER CHARGE PIPE MAVERICK	TUBO CARICO CALDAIA MAVERICK	
115000120	VALVE LEVEL - TAP TUBE MAVERICK	TUBO EV LIVELLO - RUBINETTO MAVERICK	
115000122	VALVE LEVEL - MANIFOLD TUBE MAVERICK	TUBO EV LIVELLO - CROCIERA MAVERICK	
115000130	BOILER TUBE - PRESSURE SENSOR MAVERICK	TUBO CALDAIA - SENSORE DI PRESSIONE MAVERICK	
11600004	SILICONE PIPE 5x9 60Sh PEROX WHITE SEMITRASPAREN	TUBO SILICONE 5x9 60Sh PEROX BIANCOSEMITRASPAREN	
190000113	2 WAYS SOLENOID 1/4-1/4 208-240V 60Hz FKM F1.5 UL NSF	E.V. NC 2VIE 1/4-1/4 208-240V 60Hz FKM F1.5 UL NSF 121KH	
98030075	CAPILLARY TUBE 1/8-1/4 0,9X2X400 GAUGE-PUMP	TUBO CAPILLARE 1/8-1/4 0,9x2x400 MANOM.-POMPA	
98031260	SPIRAL TUBE FOR T.E.R.S	TUBO SPIRALE PER T.E.R.S.	
98120001	NEPLAX VITON 16,5 BAR VALVE 1/8 HOSE CLAMP	VALVOLA NEPLAX VITON 16,5 BAR 1/8 - PORTAGOMMA	

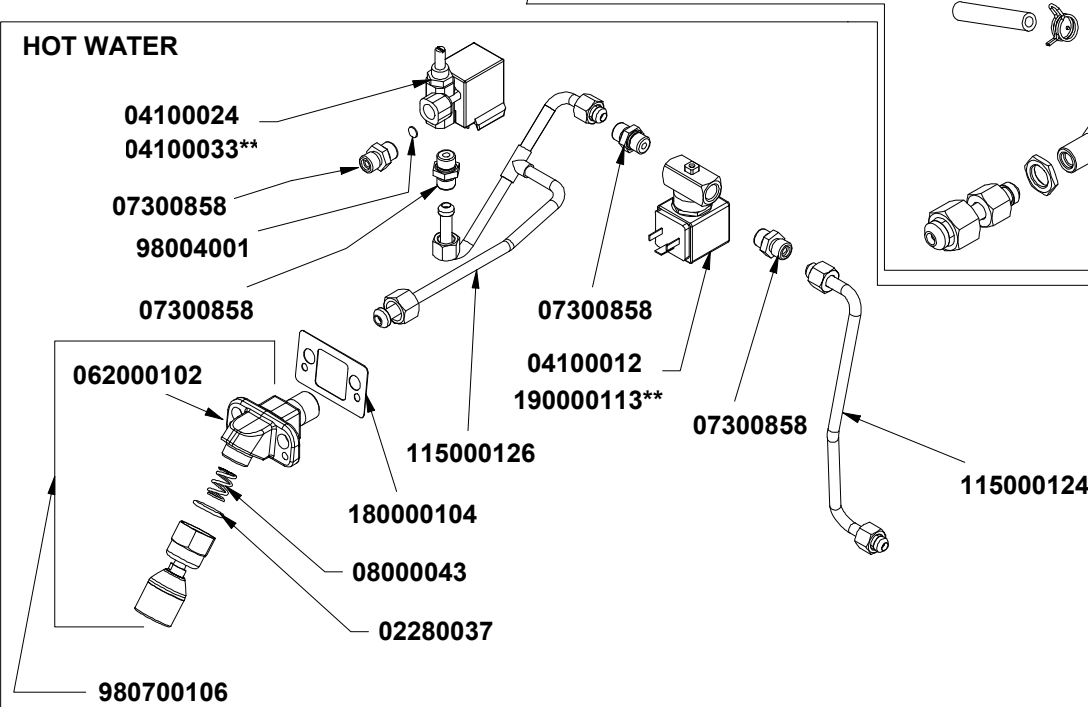
LEFT PARTS



RIGHT PARTS



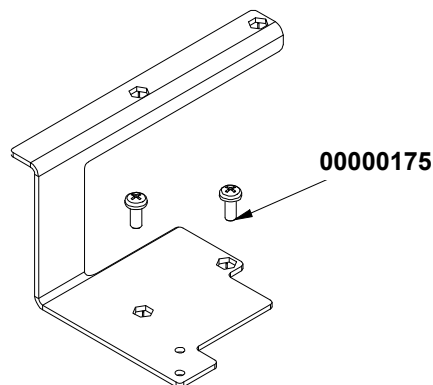
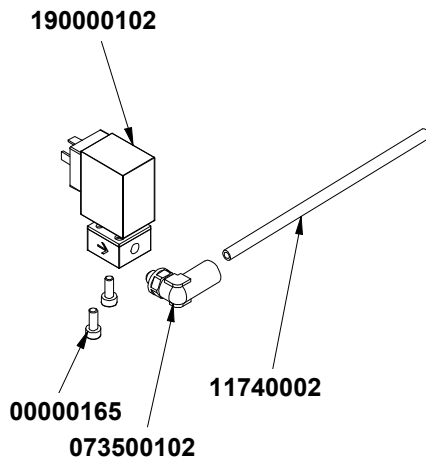
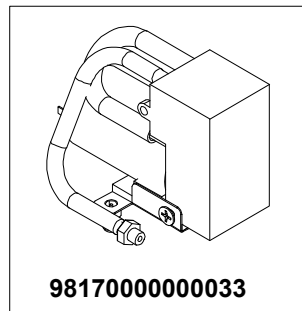
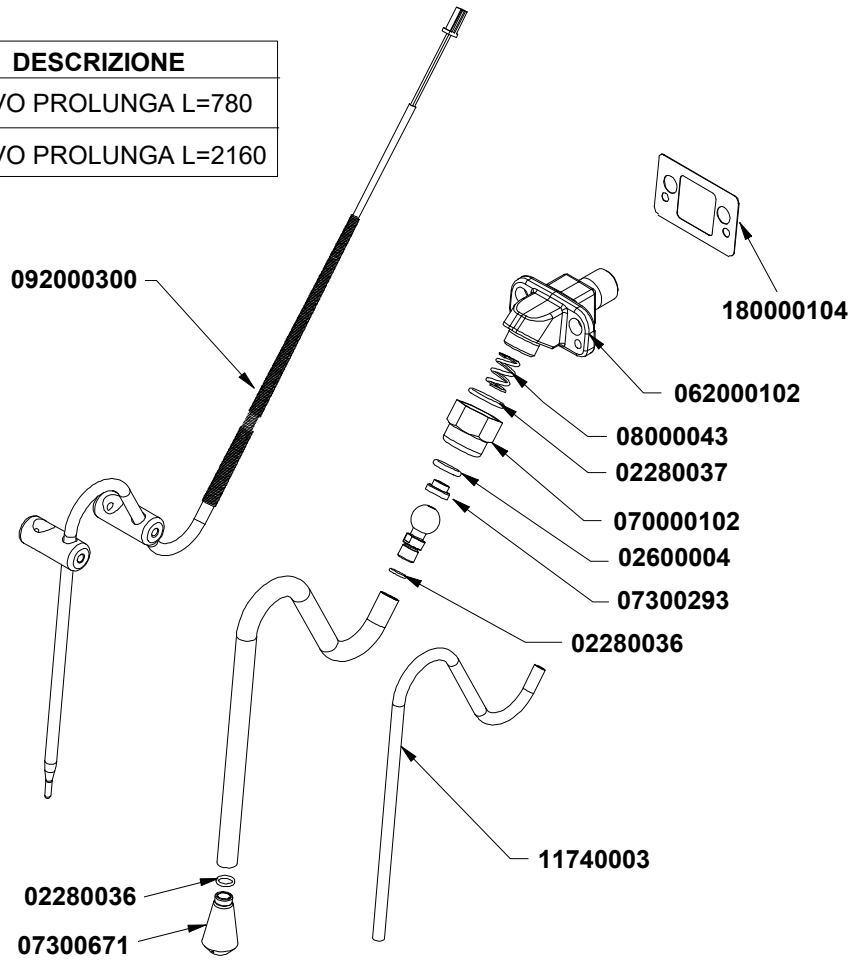
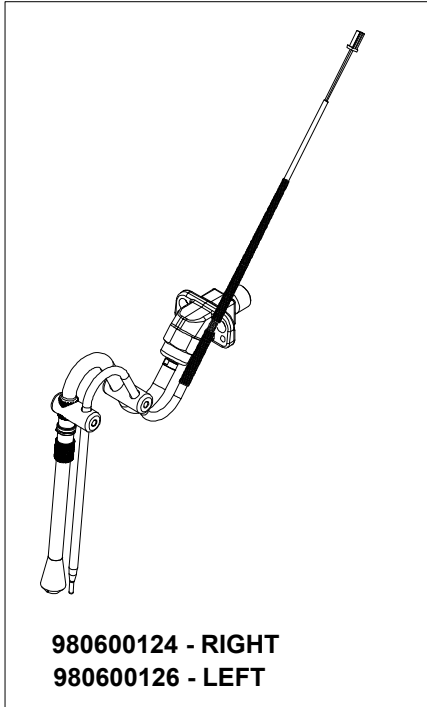
HOT WATER



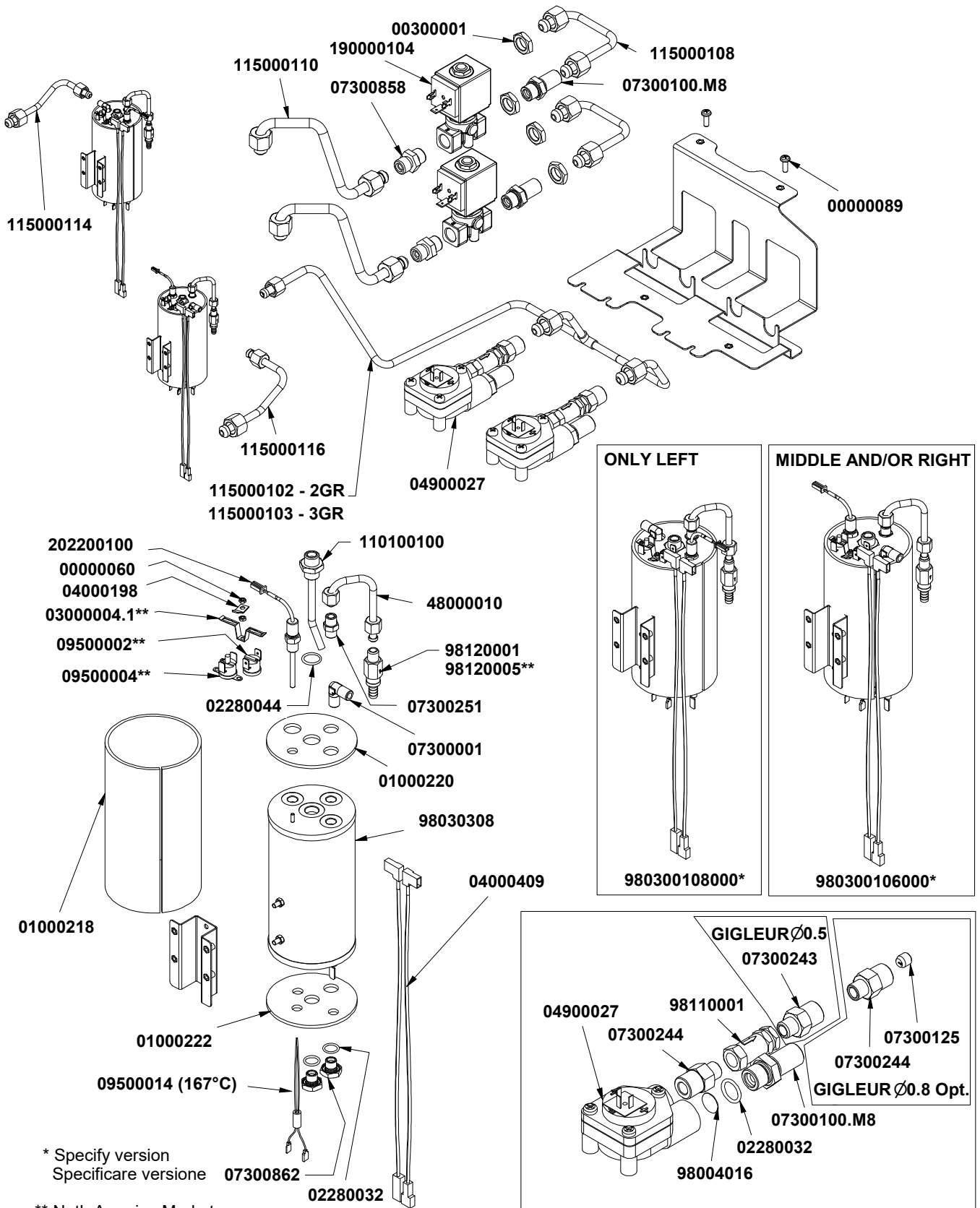
** North America Market
Mercato Nord America

COD.	DESCRIPTION	DESCRIZIONE	VAL.
00300001	BRASS NUT 1/4 GAS D5 CH18	DADO OT 1/4 GAS SPESS.5 CH18 *AGG. 22.07.96	
00300025	CONICAL TAP 1/8 GAS EI 5.8 ZB	TAPPO CONICO 1/8 GAS EI 5.8 ZB	
02280036	O RING FOR STEAM WAND NOZZLE D6x1.2 EPDM70 500 P	GUARN. OR x BECCO LANCIA VAP. DI 6x1.2 EPDM70(CONF.	
02280037	GASKET O RING JOINT LOCK 16x2 NBR70	GUARN. OR CHIUSURA SNODO 16x2 NBR70	
02600004	O RING 15,2x10,2x2,5 TEFLON x STEAM WAND SPHERE	GUARN. OR 15,2x10,2x2,5 TEFLONx SFERA LANCIAPVAPORE	
04100012	2WAY SOLENOID 1/8-1/8 1/8 240V50/60hz F3 UL TH2xM5	E.V. NC 2VIE 1/4-1/4 220-230V 50/60HZ VITON F1.5CE PIEDIN	
04100024	3WAY SOLENOID 1/4 REGUL 90° 230V50/60Hz F3 CE	E.V. NC 2VIE 1/4 REGOLAT. 90° 230V 50/60Hz F.3 CE	
04100033	2WAY SOLENOID 1/4 REGUL 90° 230/240V 50/60Hz F3 UL C	E.V. NC 2VIE 1/4 REGOLAT. 90° 230/240V 50/60Hz F3UL CAN	
05000660	RUBBER PROTECTION STEAMWAND D10 EAGLE ONE	GOMMINO PROTEZIONE LANCIA D.10 EAGLE ONE	
062000102	STEAM WAND SUPPORT MAVERICK	SUPPORTO LANCIA VAPORE MAVERICK	
070000102	STEAM WAND NUT MAVERICK	DADO LANCIA VAPORE MAVERICK	
07300100.M8	DISCHARGE ATTACHMENT 1/4 1/4 + INT M8 OT-57 USA	ATTACCO SCAR. 1/4-1/4 + INT M8 OT-57 USA	
07300293	ARTICULATED BUSHING AG.25.06.96 OT-57	BUSSOLA SNODO AG.25.06.96 OT-57	
07300539	RAPID FITTING 1/8 STRAIGHT D4	RACCORDO RAPIDO 1/8 DIRITTO D4	
07300858	FITTING 1/4M-1/4M OT-57 USA	RACCORDO 1/4M-1/4M OT-57 USA	
08000034	HOSE CLAMP D12	FASCETTA STRINGITUBO D12	
08000043	SPRING FOR ARTICULATED WAND D.1.6 D.11.9x16.2 4COIL	MOLLA PER LANCIA SNODATA FILO D.1.6 D.11.9x16.2 4SPIR	
115000124	BOILER TUBE - HOT WATER SOLENOID MAVERICK	TUBO CALDAIA - EV ACQUA CALDA MAVERICK	
115000126	HOT WATER MAINFOLD MIX MAVERICK	CROCIERA MISCELATORE ACQUA CALDA MAVERICK	
115000140	BOILER TUBE - RIGHT STEAM WAND 2GR MAVERICK	TUBO CALDAIA-EV LANCIA VAPORE DX 2GR. MAVERICK	
115000141	BOILER TUBE - RIGHT STEAM WAND 3GR MAVERICK	TUBO CALDAIA-EV LANCIA VAPORE DX 3GR. MAVERICK	
115000142	SOLENOID TUBE - RIGHT STEAM WAND MAVERICK	TUBO EV - LANCIA VAPORE DX MAVERICK	
115000144	BOILER TUBE - LEFT STEAM WAND MAVERICK	TUBO CALDAIA - EV LANCIA VAPORE SX MAVERICK	
115000146	SOLENOID TUBE - LEFT STEAM WAND MAVERICK	TUBO EV - LANCIA VAPORE SX MAVERICK	
11600004	SILICONE PIPE 5x9 60Sh PEROX WHITE SEMITRASPAREN	TUBO SILICONE 5x9 60Sh PEROX BIANCOSEMITRASPAREN	
11740003	CALIBRATED TEFLON PIPE 6/4	TUBO TEFLON 6/4 CALIBRATO	
180000104	LANCE SUPPORT INSULATION - CHASSIS MAVERICK	ISOLANTE SUPPORTO LANCE-TELAIO MAVERICK MAYLAR	
190000100	DOUBLE SOLENOID NC 2WAYS+3WAYS 230V 50-60Hz	E.V. DOPPIA NC 2VIE + 3VIE 230V 50-60HzF.EV1 1,8 - F.EV2	
190000113	2 WAYS SOLENOID 1/4-1/4 208-240V 60Hz FKM F1.5 UL NSF	E.V. NC 2VIE 1/4-1/4 208-240V 60Hz FKM F1.5 UL NSF 121KH	
75006038.1	STEAM NOOZLE M8,65x0,75 F1,2 ESAG.12	BECCO VAPORE M8,65x0,75 F. 1,2 ESAG.12	
75006038.2	STEAM NOZZLE M8,65x0,75 F. 1,5 ESAG.12	BECCO VAPORE M8,65x0,75 F. 1,5 ESAG.12	
98004001	S/S FILTER D8	FILTRO INOX DIAM. 8	
980600118	STEAM WAND + ATTACHMENT SET MAVERICK	ASS. ATTACCO + LANCIA VAPORE MAVERICK	
980700106	HOT STEAM WAND + ATTACHMENT SET MAVERICK	ASS. ATTACCO + LANCIA ACQUA CALDA MAVERICK	

CODE	DESCRIPTION	DESCRIZIONE
04000913	EXTEN CABLE L=780	CAVO PROLUNGA L=780
04000914	EXTEN CABLE L=2160	CAVO PROLUNGA L=2160



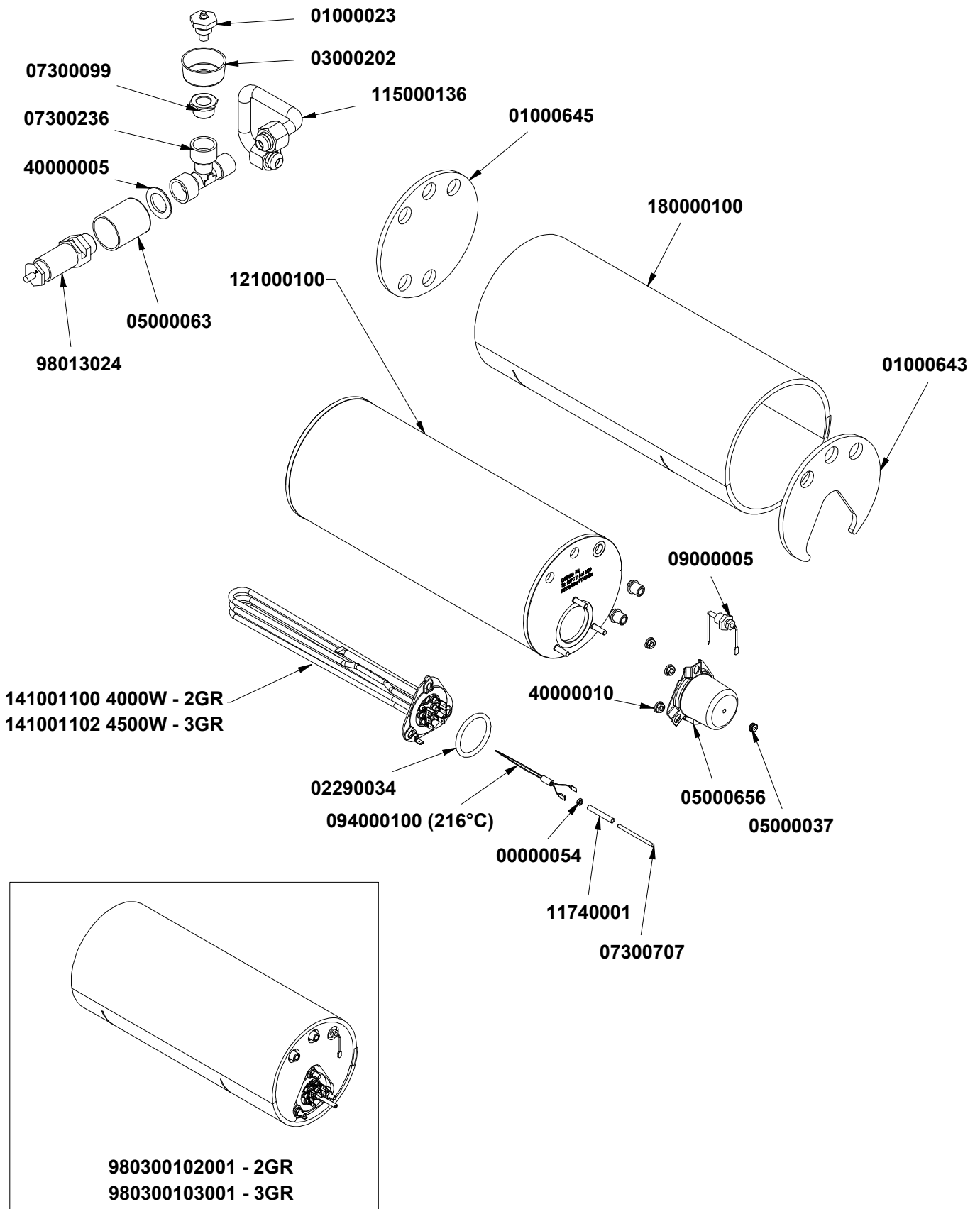
COD.	DESCRIPTION	DESCRIZIONE	VAL.
00000165	S/S SCREW M3x8 TCEI ISO 4762	VITE INOX M3x8 TCEI ISO 4762	
00000175	S/S CROSS HEAD CAP SCREW M4X10	VITE INOX M4x10 TC TCR	
02280036	O RING FOR STEAM WAND NOZZLE D6x1.2 EPDM70 500 P	GUARN. OR x BECCO LANCIA VAP. DI 6x1.2 EPDM70(CONF.	
02280037	GASKET O RING JOINT LOCK 16x2 NBR70	GUARN. OR CHIUSURA SNODO 16x2 NBR70	
02600004	O RING 15,2x10,2x2,5 TEFLON x STEAM WAND SPHERE	GUARN. OR 15,2x10,2x2,5 TEFLONx SFERA LANCIAPAPORE	
04000914		CAVO PROLUNGA L=2160 CONNETTORI 2VIE TIPO AMP MO	
073500102	RAPID FITTING	RACCORDO RAPIDO M5 L GIR. D4	
980600124		ASS. ATTACCO+LANCIA EASY CREAM DX MAVERICK	
980600126		ASS. ATTACCO+LANCIA EASY CREAM SX MAVERICK	
04000913	EXTEN CABLE L=780 2WAY CONN AMP TYP MODE II M-F	CAVO PROLUNGA L=780 CONNETTORI 2VIE TIPO AMP MO	
062000102	STEAM WAND SUPPORT MAVERICK	SUPPORTO LANCIA VAPORE MAVERICK	
070000102	STEAM WAND NUT MAVERICK	DADO LANCIA VAPORE MAVERICK	
07300293	ARTICULATED BUSHING AG.25.06.96 OT-57	BUSSOLA SNODO AG.25.06.96 OT-57	
07300671	EASYCREAM NOZZLE 4HOLES TALENTO - AURELIA II	BECCO EASYCREAM 4 FORI TALENTO / AURELIA II	
08000043	SPRING FOR ARTICULATED WAND D.1.6 D.11.9x16.2 4COIL	MOLLA PER LANCIA SNODATA FILO D.1.6 D.11.9x16.2 4SPIR	
092000300	TEMPERATURE PROBE STEAM WAND MAVERICK	SONDA TEMPERATURA X LANCIA VAPORE MAVERICK	
11740002	CALIBRATED TEFLON PIPE 4/2,5 TRASPARENT (ROLLS OF	TUBO TEFLON 4/2,5 CALIBRATO TRASPARENTE (ROTOLI D	
11740003	CALIBRATED TEFLON PIPE 6/4	TUBO TEFLON 6/4 CALIBRATO	
180000104	LANCE SUPPORT INSULATION - CHASSIS MAVERICK	ISOLANTE SUPPORTO LANCE-TELAIO MAVERICK MAYLAR	
190000102	2 WAYS SOLENOID AIR PROPORTIONAL	E.V. NC 2VIE PROPORZIONALE ARIAMICROEV. 0,8	
98170000000033	MICROCOMPRESSOR + SUPPORT SET TALENTO	ASS. SUPPORTO + MICROCOMPRESSORE TALENTO	



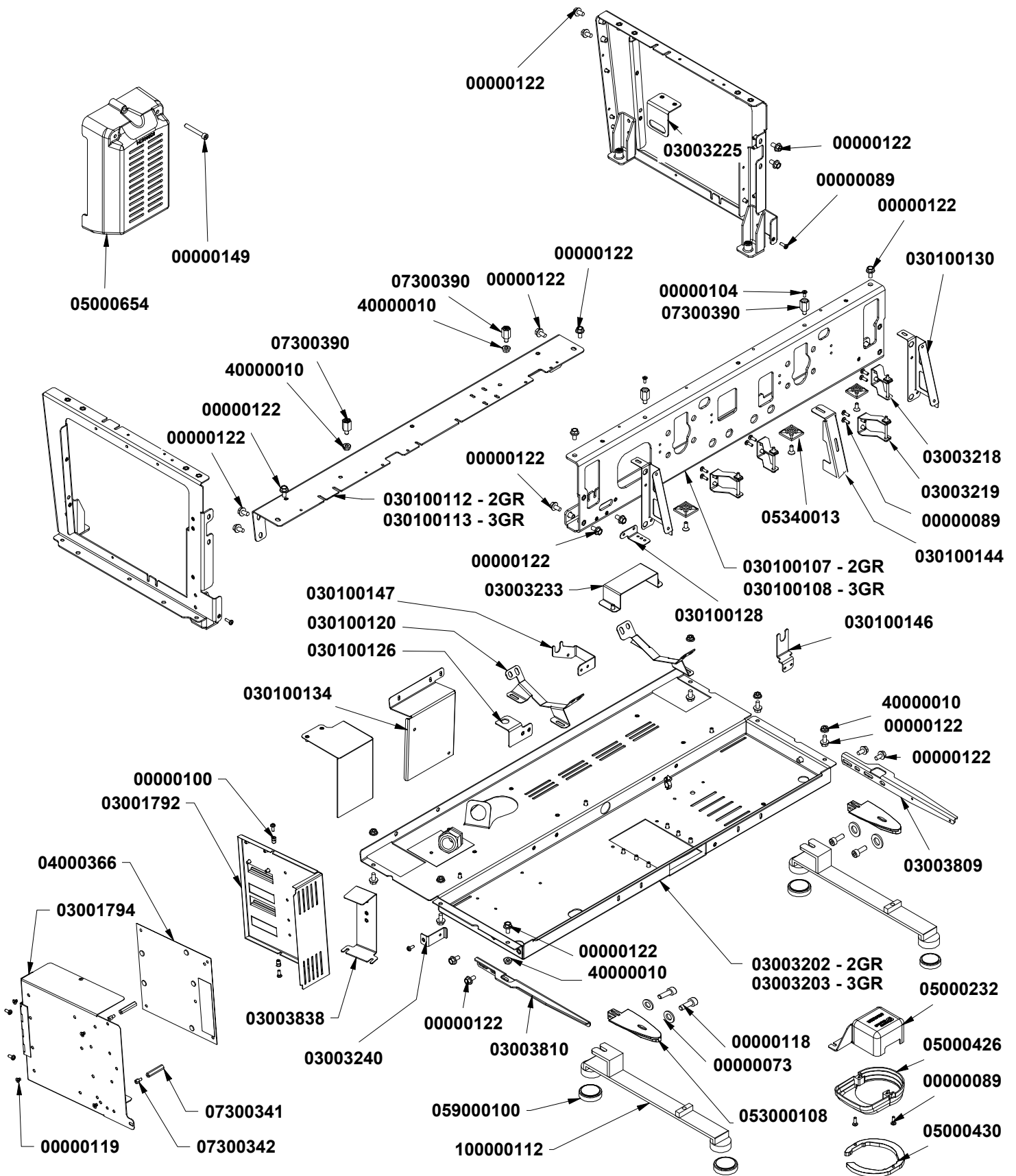
* Specify version
Specificare versione

** Noth America Market
Mercato Nord America

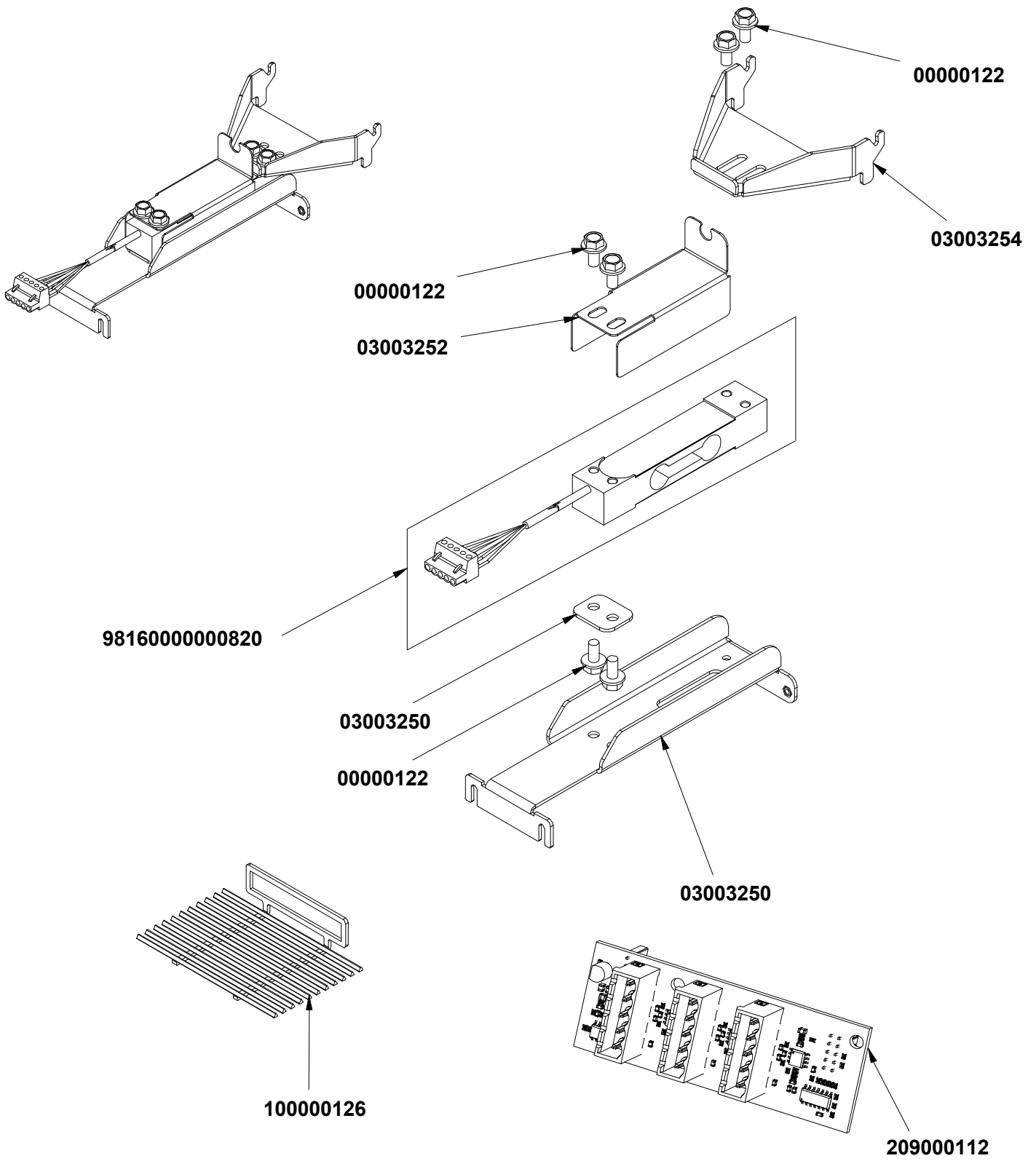
COD.	DESCRIPTION	DESCRIZIONE	VAL.
00000060	GALV MEDIUM NUT AQ M3	DADO AQ M3 MEDIO ZINCATO	
00000089	S/S CROSSHEAD CAP SCREW M4x12 DIN7985	VITE INOX M4x12 TC TCR DIN7985	
00300001	BRASS NUT 1/4 GAS D5 CH18	DADO OT 1/4 GAS SPESS.5 CH18 *AGG. 22.07.96	
01000218	BOILER INSULATION D80 115x252,7	ISOLANTE CALDAIA D80 155x252,7	
01000220	BOILER INSULATION SUPERIOR D80	ISOLANTE SUPER. D.80 CALDAIA	
01000222	BOILER INSULATION INFERIOR D80	ISOLANTE INFER. D.80 CALDAIA	
02280032	GASKET O RING 114 D15 EP 851	GUARN. OR 114 D.15 EP 851	
02280044	GASKET O RING 14x1.78 EP851	GUARN. OR 14x1,78 EP851 2056 MS15	
03000004.1	DOUBLE BRACKET FOR THERMOSTAT	STAFFA DOPPIA x TERMOSTATO	
115000103	CONN.MANIFOLD-FLOWMETER 3 GR MAVERICK	CROCIERA COLLEGAMENTO DOSATORI 3GR MAVERICK	
115000108	FLOWMETER - SOLENOID MAVERICK	TUBO DOSATORE - E.V. MAVERICK	
04000198	FOIL HOLDER M 6.3 D 4.2 45°	PRESA LAMELLARE M 6.3 d4.2 45°	
04000409	SAFETY THRMST MAIN BOILER WIRING AURELIA II T3CSA	CABLAGGIO TERMOSTATO CALDAIA CAFFE' AURELIA II T3C	
04900027	BRASS FLOWMETER 1/4-1/4GAS -ATT. HEAD 2,8x0,5 F 1,2	DOSATORE VOLUMETRICO OTT. 1/4-1/4GAS -ATT. TEST.2,8	
07300001	L FITTING 1/8 M-M 459	RACCORDO L 1/8 M-M(dimens. L 24 mm)	
07300100.M8	DISCHARGE ATTACHMENT 1/4 1/4 + INT M8 OT-57 USA	ATTACCO SCAR. 1/4-1/4 + INT M8 OT-57 USA	
07300125	GIGLEUR M8x8 F.0,8 OT-57 +TEA	GIGLER M8x8 F.0,8 OT-57 +TEA	
07300243	FITTING 1/4M 1/8M GIGLER F.0,5	RACCORDO 1/4M 1/8M GIGLER F.0,5 Aisi303	
07300244	FITTING 1/4M 1/8M + THREADED M8 Aisi303	RACCORDO 1/4M 1/8M + FILETT.M8 Aisi303	
07300251	FITTING 1/8 M-M HOLE 5,5 + THREADED M6 x L=11	RACCORDO 1/8 M-M FORO 5,5 + FILETT. M6 x L.=11	
07300858	FITTING 1/4M-1/4M OT-57 USA	RACCORDO 1/4M-1/4M OT-57 USA	
07300862	PLUG 1/8 GAS Aisi304 + ORING POSITION	TAPPO 1/8 GAS Aisi304 + SEDE OR	
09500002	AUTOMATIC THERMOSTAT 125°C WHITE DRIPPING	TERMOSTATO RIARMO AUTO. 125°C GOCCIOLATURA BIANCA	
09500004	MANUAL THERMOSTAT 135°C GREEN DRIPPING	TERMOSTATO R.MAN. 135C GOCCIOLATURA VERDE	
09500014	HEATING ELEMENT THERMAL PROTECTION G5 167°C 16A	TERMOPROTETTORE x RESISTENZA G5 167°C 16A 250V UL	
110100100	TUBE INJECTOR SET 1/4M S/S COFFEE BOILER	ASSIEME TUBO INIETTORE 1/4M INOX CALDAIA CAFFE'MAV	
115000102	CONN.MANIFOLD-FLOWMETER 2 GR MAVERICK	CROCIERA COLLEGAMENTO DOSATORI 2GR MAVERICK	
115000110	FLOWMTER-CURVE FLANGE BOILER TUBE GR. 1-2 MAVERICK	TUBO DOSATORE - CALDAIETTA GRUPPO 1-2 MAVERICK	
115000114	COFFEE BOILER TUBE- 1 GR MAVERICK	TUBO CALDAIETTA - GRUPPO 1 MAVERICK	
115000116	COFFEE BOILER TUBE 2-3 GR MAVERICK	TUBO CALDAIETTA - GRUPPO 2-3 MAVERICK	
190000104	SOL. VALVE 2 WAYS COIL BDV0823 PULSJET	E.V. NA 2VIE BOBINA BDV0823 PULSJETCORPO OTTONE 1/8	
202200100	TEMPERATURE PROBE 150 ATT.1/8 INOX 4x40 AMP MODU	SONDA TEMPERATURA 150 ATT.1/8 INOX 4x40 AMP MODULI	
48000010	DISPENSING TUBE VENUS 2-3 GR	TUBO EROGAZIONE GRUPPO VENUS 2-3 GRUPPI	
98004016	S/S FILTER D12	FILTRO INOX DIAM. 12	
98030308	S/S WELDED BOILER Aisi316 D77 L145 230V 1000W	CALDAIA SALD. ACCIAIO Aisi316 D.77 L=145 230V1000W	
98110001	RETURN VALVE 1/8 F-FOT-58	VALVOLA RITEGNO COMPL. 1/8 F-F OT-58	
98120001	NEPLAX VITON 16,5 BAR VALVE 1/8 HOSE CLAMP	VALVOLA NEPLAX VITON 16,5 BAR 1/8 - PORTAGOMMA	
98120005	NEPLAX VITON 12 BAR VALVE 1/8 HOSE CLAMP	VALVOLA NEPLAX VITON 12BAR 1/8 - PORTAGOMMA	
980300108001		ASS. CALDAIA CAFFE' SX MAVERICK	
980300108002	COFFEE BOILER SET SX MAVERICK	ASS. CALDAIA CAFFE' SX MAVERICK	
980300106001		ASS. CALDAIA CAFFE' DX MAVERICK	
980300106002	COFFEE BOILER SET DX MAVERICK	ASS. CALDAIA CAFFE' DX MAVERICK	



COD.	DESCRIPTION	DESCRIZIONE	VAL.
00000054	GALV HIGH NUT M4	DADO AQ M4 ALTO ZINCATO	
01000023	ANTI VACUUM VALVE	VALVOLINA SFIATO	
01000643	INSULATION D.160 RIGHT MELAMINE STEAM BOILER	ISOLANTE D.160 DX CALDAIA VAPORE EAGLE ONEMELAMINE	
01000645	STEAM BOILER INSULATION D.160 SX	ISOLANTE D.160 SX CALDAIA VAPORE EAGLE ONEMELAMINE	
02290034	GASKET O RING 6187 D47x5,34 VITON FDA	GUARN. OR 6187 D.47x5,34 VITON FDA	
03000202	CONDENSATION TRAY MASTER	VASCETTA RACCOGLI CONDENSA AGG. 07.06.97	
05000037	THREADED RING NUT FOR PANELS M4 X0,7 NYLON WHIT	GHIERA FILETTATA PER PANNELLI M4x0,7 NYLON BIANCO	
05000063	SAFETY VALVE COVER PA6	COPRI VALVOLA SICUREZZA PA6	
05000656	CYLINDRICAL RESISTANCE COVER EAGLE ONE	COPRI RESISTENZA CILINDRICO EAGLE ONE	
07300099	FITTING ADAPTER 3/8-1/4 ES. 20 ADD. 29.05.96	RIDUZIONE 3/8-1/4 ES.20 AGG. 29.05.96	
07300236	T FITTING 3/8 M-F-F 466	RACCORDO A T 3/8 M-F-F	
07300707	BRASS THREADED PIVOT M4X60	PERNO OTTONE FILETTATO M4x60	
09000005	COMPLETE AUTOLEVEL PROBE L=130	SONDA AUTOLIVELLO COMP. L=130	
094000100	HEATING ELEMENT THERMAL PROTECTION E5 MICR 2 SH	TERMOPROTETTORE X RESIST. E5 216°C MICR 2 GUAINA	
115000136	SAFETY VALVE TUBE MAVERICK	TUBO VALVOLA SICUREZZA MAVERICK	
11740001	TEFLON PIPE 6/4	TUBO TEFLON 6/4	
121000100	STAINLESS STEEL WELDED BOILER D.160 9LT STEAM	CALDAIA SALD. ACCIAIO INOX D.160 9LT VAPORE	
141001100	S/S RESISTANCE FLANGE 4000W 230V	RESISTENZA FLANGIA INOX 4000W 230V	
141001102	S/S RESISTANCE FLANGE 4500W 230V	RESISTENZA FLANGIA INOX 4500W 230V	
180000100	STEAM BOILER INSULATOR MAVERICK	ISOLANTE CALDAIA VAPORE MAVERICK MELAMMINA	
40000005	BRASS WASHER 27x17x2 ROUGH	RONDELLA OT 27x17x2 GREZZA	
40000010	NUT M6 W/ WELDED GALV WASHER	DADO AQ M6 RONDELLA SALDATA ZINCATO	
98013024	SAFETY VLVE C10 3BAR 3/8 VITON 97/23/GE CAT.IV H10T-	VALVOLA SICUREZZA C10 3 BAR 3/8" VITON 97/23/CECAT.IV	
980300102001	BOILER ASSEMBLY MAVERICK 2GR.	ASS. CALDAIA MAVERICK 2GR.	
980300103001	BOILER ASSEMBLY MAVERICK 3GR.	ASS. CALDAIA MAVERICK 3GR.	



COD.	DESCRIPTION	DESCRIZIONE	VAL.
00000073	S/S WASHER D.8x4x1 UNI6592	RONDELLA INOX 8x4x1 UNI6592	
00000089	S/S CROSSHEAD CAP SCREW M4x12 DIN7985	VITE INOX M4x12 TC TCR DIN7985	
00000104	S/S CROSSHEAD COUNTERSUNK SCREW M4x10 DIN965	VITE INOX M4x10 TSP TCR DIN965	
00000118	S/SHEX SOCKET CAP SCREW M4x12 5931	VITE INOX M4x12 TCEI 5931	
00000119	SS CROSS HEAD COUNTERSUNK SCREW M4x6 ISO 7046	VITE INOX M4x6 TSPTCR ISO 7046	
00000122	WHITE GALV FLANGED KNURLED HEX CAP SCREW 8.8 M	VITE AQ 8.8 M6x12 TE FLANG. ZIGR. ZINC. BIANCO	
00000149	S/S HEXAGON SOCKET HEAD SCREW M4x30 UNI 5931	VITE INOX M4x30 TCEI UNI 5931	
03001792	CONTROL BOARD COVER AURELIA	CHIUSURA CENTRALINA AURELIA	
03001794	CONTROL BOARD CASE AURELIA	CONTENITORE CENTRALINA AURELIA	
03003202	BASE 2GR VA388	BASAM. PORTANTE 2GR. VA388	
03003203	BASE 3GR VA388	BASAM. PORTANTE 3GR. VA388	
03003218	RIGHT SUPPORT COVER GROUP VA388	LAMIERA DX SUPP. COPRIGRUPPO VA388	
03003219	LEFT SUPPORT COVER GROUP VA388	LAMIERA SX SUPP. COPRIGRUPPO VA388	
03003225	SAFETY PRESSOSTAT SUPPORT VA388	LAMIERA SUPP. PRESSOSTATO MECCANICO VA388	
03003233	PROTECTION SHEET CHARGE PIPE	LAMIERA PROTEZIONE TUBO CARICO VA388	
03003240	FIXING BOARD BOX SHEET	LAMIERA FISS. SCATOLA CENTRAL. VA388	
03003809	RIGHT PLATE GUIDE SHEET	LAMIERA GUIDA PIATTO DX EAGLE ONE	
03003810	LEFT PLATE GUIDE SHEET	LAMIERA GUIDA PIATTO SX EAGLE ONE	
03003838	TERMINAL BOARD SUPPORT BRACKET	STAFFA SUPP. MORSETTIERA EAGLE ONE	
030100107	GROUP WALL 2GR MAVERICK	PARETE PORTAGRUPPI 2GR MAVERICK	
030100108	GROUP WALL 3GR MAVERICK	PARETE PORTAGRUPPI 3GR MAVERICK	
030100112	REAR UPPER CROSSBAR 2GR MAVERICK	TRAVERSA SUPER. POSTERIORE 2GR MAVERICK	
030100113	REAR UPPER CROSSBAR 3GR MAVERICK	TRAVERSA SUPER. POSTERIORE 3GR MAVERICK	
030100120	SUPPORT BOILER MAVERICK	SUPPORTO CALDAIA MAVERICK	
030100126	MANIFOLD SUPPORT MAVERICK	SUPPORTO CROCIERA MAVERICK	
030100128	SUPPORT SOLENOID SELF LEVEL MAVERICK	SUPPORTO E.V. AUTOLIVELLO MAVERICK	
030100130	SUPPORT COMMAND PANEL MAVERICK	SUPPORTO PANNELLO COMANDI MAVERICK	
030100134	SUPPORT TRANSFORMER ALIMENT. MAVERICK	SUPPORTO TRASFORMATORE ALIMENT. MAVERICK	
030100144	DISPLAY SUPPORT BRACKET MAVERICK	STAFFA APPOGGIO DISPLAY MAVERICK	
030100146	DOUBLE STEAM SOLENOID SUPPORT DX MAVERICK	SUPPORTO E.V. DOPPIA VAPORE DX MAVERICK	
030100147	DOUBLE STEAM SOLENOID SUPPORT SX MAVERICK	SUPPORTO E.V. DOPPIA VAPORE SX MAVERICK	
04000366	PVC MAIN BOARD PROTECTION AURELIA	PROTEZIONE CENTRALINA AURELIA	
05000232	SQUARE SWITCH COVER	COPRI INTERRUOTTORE QUADRATO	
05000426	VERTEBRA RING SUPER. FEEDER VA388	ANELLO VERTEBRA SUPER. CARICO/SCARICO VA388	
05000430	VERTEBRA RING FEEDER VA388	ANELLO VERTEBRA CARICO/SCARICO VA388	
05000654	BOILER CONTROL UNIT CLOSING	CHIUSURA CENTRALINA CALDAIE EAGLE ONE	
053000108	FLAT WATER DRIP TRAY MAVERICK	APPOGGIO PIATTO RACCOGLIACQUA MAVERICK	
059000100	MACHINE FOOT BICOMPONENT D.50 H=12,5 INSER. M10	PIEDE MACCHINA BICOMPONENTE D.50 H=12,5 INSER. M10	
07300341	CENTRAL LOCK VIP S/S NICKEL PLATE L=35 ADD.29.01.98	PERNO BLOCC. CENTRAL. VIP INOXNICHELATO L=35AGG.2	
07300342	NICKEL PLATED CONTROL UNIT SUPPORT PIN	PERNO SUPPORTO CENTRAL. VIP NICHELATO	
07300390	EXTENSION CUP WARMER FIXING	PROLUNGA FISSAGGIO SCALDATAZZE VA388 - MAVERICK	
100000112	FOOT MACHINE MAVERICK	PIEDE MACCHINA MAVERICK	
40000010	NUT M6 W/ WELDED GALV WASHER	DADO AQ M6 RONDELLA SALDATA ZINCATO	

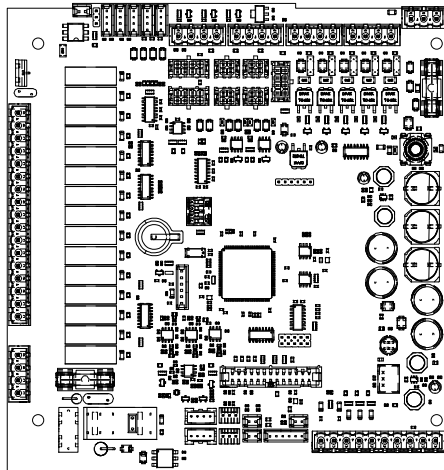


BLACK EAGLE MAVERICK

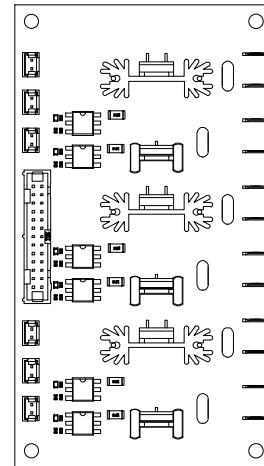
COMPONENTI BILANCIA

AUTOMATIC SCALE PARTS

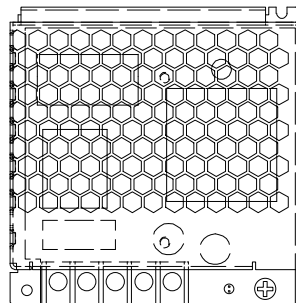
COD.	DESCRIPTION	DESCRIZIONE	VAL.
00000122	WHITE GALV FLANGED KNURLED HEX CAP SCREW 8.8 M	VITE AQ 8.8 M6x12 TE FLANG. ZIGR. ZINC. BIANCO	
03003250	SCALE SUPPORT VA388	LAMIERA SUPPORTO BILANCIA VA388	
03003252	SCALE PROTECTION SUPPORT VA388	LAMIERA PROTEZIONE BILANCIA VA388	
03003254	SCALE GRILL SUPPORT VA388	LAMIERA SUPPORTO RETINA BILANCIA VA388	
209000112		SCHEDA BILANCE MAVERICK	
100000126	SCALE GRILL MAVERICK	RETINA BILANCIA MAVERICK	
9816000000820	LOAD CELL SET W/ CONNECTOR VA388	ASSIEME CELLA DI CARICO VA388 + CONNETTORE	



200000100



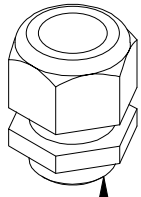
04901340



046000300

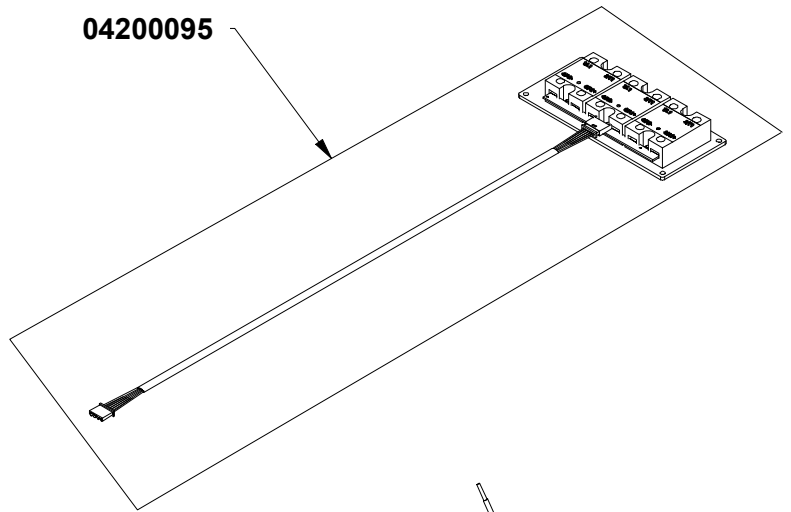
CODE	DESCRIPTION	DESCRIZIONE
04000430	CABLE 10 WAYS BOARD - COLOR DISPLAY	CAVO 10 VIE CENTRALINA -"DISPLAY A COLORI"
04000432	CABLE 26 WAYS BOARD - COLOR DISPLAY	CAVO 26 VIE CENTRALINA -"DISPLAY A COLORI"
04000893	EXTEN CABLE L=600 2WAY CONN.	CAVO PROLUNGA L=600 CONNETTORI 2VIE
04000912	EXTEN CABLE L=380 2WAY CONN.	CAVO PROLUNGA L=380 CONNETTORI 2VIE
04000913	EXTEN CABLE L=780 2WAY CONN.	CAVO PROLUNGA L=780 CONNETTORI 2VIE
040500112	WIRING 2GR LOW VOLTAGE	CABLAGGIO 2GR BASSA TENSIONE
040500113	WIRING 3GR LOW VOLTAGE	CABLAGGIO 3GR BASSA TENSIONE
04000380	CUPWARMER SENSOR CONN CABLE L=100M	CAVO COLL. SONDA SCALDATAZZE L=100M
04000409	SAFETY THRMST MAIN BOILER WIRING	CABLAGGIO TERMOSTATO CALDAIA CAFFE'
040500116	ADDITION WIRING EASYCREAM	SUPPL. CABLAGGIO EASYCREAM
04000381	PRESSUR SWITCH-RELAY WIRING	CABLAGGIO PRESSOSTATO-RELE'
040500102	WIRING 2GR HIGH VOLTAGE	CABLAGGIO 2GR ALTA TENSIONE
040500103	WIRING 3GR HIGH VOLTAGE	CABLAGGIO 3GR ALTA TENSIONE

COD.	DESCRIPTION	DESCRIZIONE	VAL.
04000380	CUPWARMER SENSOR CONN CABLE AURELIA L=100MOD	CAVO COLL. SONDA SCALDATAZZE AURELIA L=100cm MOD	
04000381	AURELIA 09 CSA CABLING	CABLAGGIO AURELIA 09 CSA PRESSOSTATO-RELE'	
04000409	SAFETY THRST MAIN BOILER WIRING AURELIA II T3CSA	CABLAGGIO TERMOSTATO CALDAIA CAFFE' AURELIA II T3C	
04000430	FLAT CABLE 10WAY CONTROL BOARD-TFT DISPLAY	CAVO 10 VIE COLL. CENTRALINA -"DISPLAY A COLORI"	
04000432	FLAT CABLE 26WAY CNTRL BOARD - PID BOARD TFT	CAVO 26 VIE COLL. CENTR-CENTR CALDAIE "DISPLAY ACC	
04000893	EXTEN CABLE L=600 2WAY CONN AMP TYP MODE II M-F	CAVO PROLUNGA L=600 CONNETTORI 2VIE TIPO AMP MOD	
04000912	EXTEN CABLE L=380 2WAY CONN AMP TYP MODE II M-F	CAVO PROLUNGA L=380 CONNETTORI 2VIE TIPO AMP MOD	
04000913	EXTEN CABLE L=780 2WAY CONN AMP TYP MODE II M-F	CAVO PROLUNGA L=780 CONNETTORI 2VIE TIPO AMP MOD	
040500102	WIRING 2GR MAVERICK HIGH VOLTAGE	CABLAGGIO 2GR MAVERICK ALTA TENSIONE	
040500103	WIRING 3GR HIGH MAVERICK VOLTAGE	CABLAGGIO 3GR MAVERICK ALTA TENSIONE	
040500112	WIRING 2GR MAVERICK LOW VOLTAGE	CABLAGGIO 2GR MAVERICK BASSA TENSIONE	
040500113	WIRING 3GR MAVERICK LOW VOLTAGE	CABLAGGIO 3GR MAVERICK BASSA TENSIONE	
040500116	ADDITION WIRING EASYCREAM MAVERICK	SUPPL. CABLAGGIO EASYCREAM MAVERICK	
046000300	TRANSFORMER 24V 75W LRS-75-24 MAVERICK	TRASFORMATORE 24V 75W LRS-75-24	
04901340	CENTRAL BOARD T3 MACHINE CONTROL	CENTR. CONTROLLO MACCHINE T3	
200000100	CENTRAL BOARD MAVERICK	CENTRALINA MAVERICK	

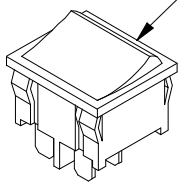


05000089

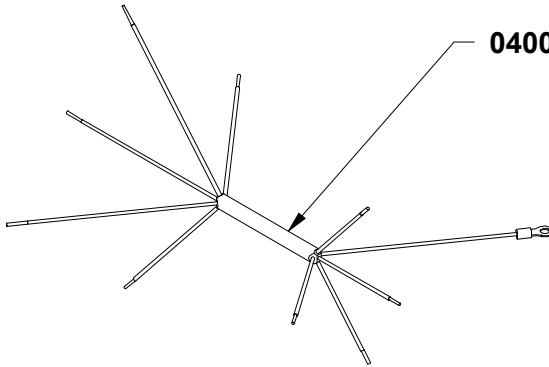
04200095



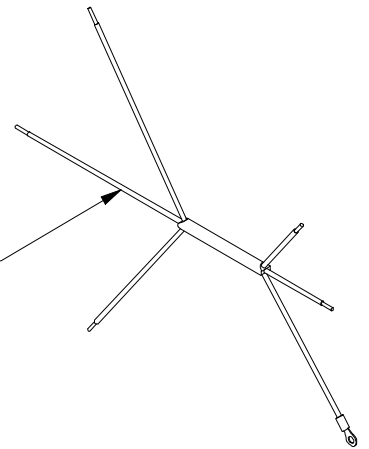
04200057



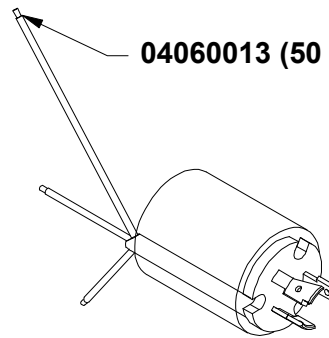
04000543 380V



04000548 230V

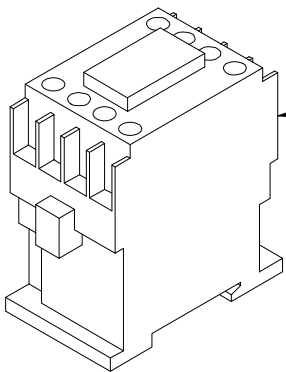


04060013 (50 A)**



04200070 - 2GR (32A)

04200072 - 3GR (45A)



CODE	DESCRIPTION	DESCRIZIONE
04000386	CUPWARMER WIRING 2GR	CABLAGGIO SCALDATAZZE 2GR
04000387	CUPWARMER WIRING 3GR	CABLAGGIO SCALDATAZZE 3GR
04000440	BOILER RELAY WIRING	CABLAGGIO RELE' CALDAIA

COD.	DESCRIPTION	DESCRIZIONE	VAL.
04000386	CUP WARMER CABLING 1 TEMP 2GR AURELIA II DIGIT-T3	CABLAGGIO SCALDATAZZE 1 TEMP. 2GR. AURELIA IIDIGIT-	
04000387	CUPWARM WIRING 1 TEMP 3GR AURELIA II DIGIT-T3	CABLAGGIO SCALDATAZZE 1 TEMP 3GR. AURELIA IIDIGIT-T	
04000440	WIRING FOR BOILER SOLID STATE RELAY L=1900	CABLAGGIO COLLEG. RELE' CALDAIA L=1900 (x04200095) S	
04000543	ELEC. CABLE 5x2,5 H07RN-F CB450/750V 2,5mt ICEL	CAVO ELETTR. 5x2,5 H07RN-F CB450/750V 2,5mt ICEL	
04000548	ELECTRICAL CABLE 3x6 H07RN-F CB L=2,5mt ICEL	CAVO ELETTR. 3x6 H07RN-F CB L=2,5mt -> ICEL <-	
04060013	CABLE+PLUG AWG3x10 SJOOW UL/CSA 50A 250V NEMA6	CAVO ALIM. AWG3x10 SJOOW 90°C UL/CSA 2mt SPINA USA	
04200057	DBL POWER BIPOLAR BIG SWITCH 10A UL 22X19 AURELIA	INTERRUT. ACCENSIONE BIPOLE. GRANDE 10A UL 22x19AU	
04200070	4POLE CONTACTOR 32 A CE/UL COIL 230V	CONTATTORE QUADRIPOLE 32A CE/UL BOBINA 230V	
04200072	4POLE CONTACTOR 45A CE/UL COIL 230V	CONTATTORE QUADRIPOLE 45A CE/UL BOBINA 230V	
04200095	STATIC RELAY 25A-250V 3pz ASSEMBLED + CONN CABLE	RELE' STATICO 25A -250V 3 pz. ASSEMBLATI + CAVOCOLL.	
05000089	CABLE DUCT TEC-S M25 WITH NUT	PRESSACAPO TEC-S M25 CON DADO	



INSPIRED BY YOUR PASSION.

Simonelli Group s.p.a.
Via E. Betti, 1 - 62020 Belforte
del Chienti - (MC) Italy
Tel. +39 0733.950243 - Fax +39
0733.850247
e-mail: info@victoriaarduino.com
com www.victoriaarduino.com