

PRODOTTI / RICAMBI  
PRODUCTS / SPARE PARTS  
PRODUITS / PIECES DETACHEES  
PRODUKTE / ERSATZTEILE  
PRODUCTOS / REPUESTOS

## MYTHOS 2

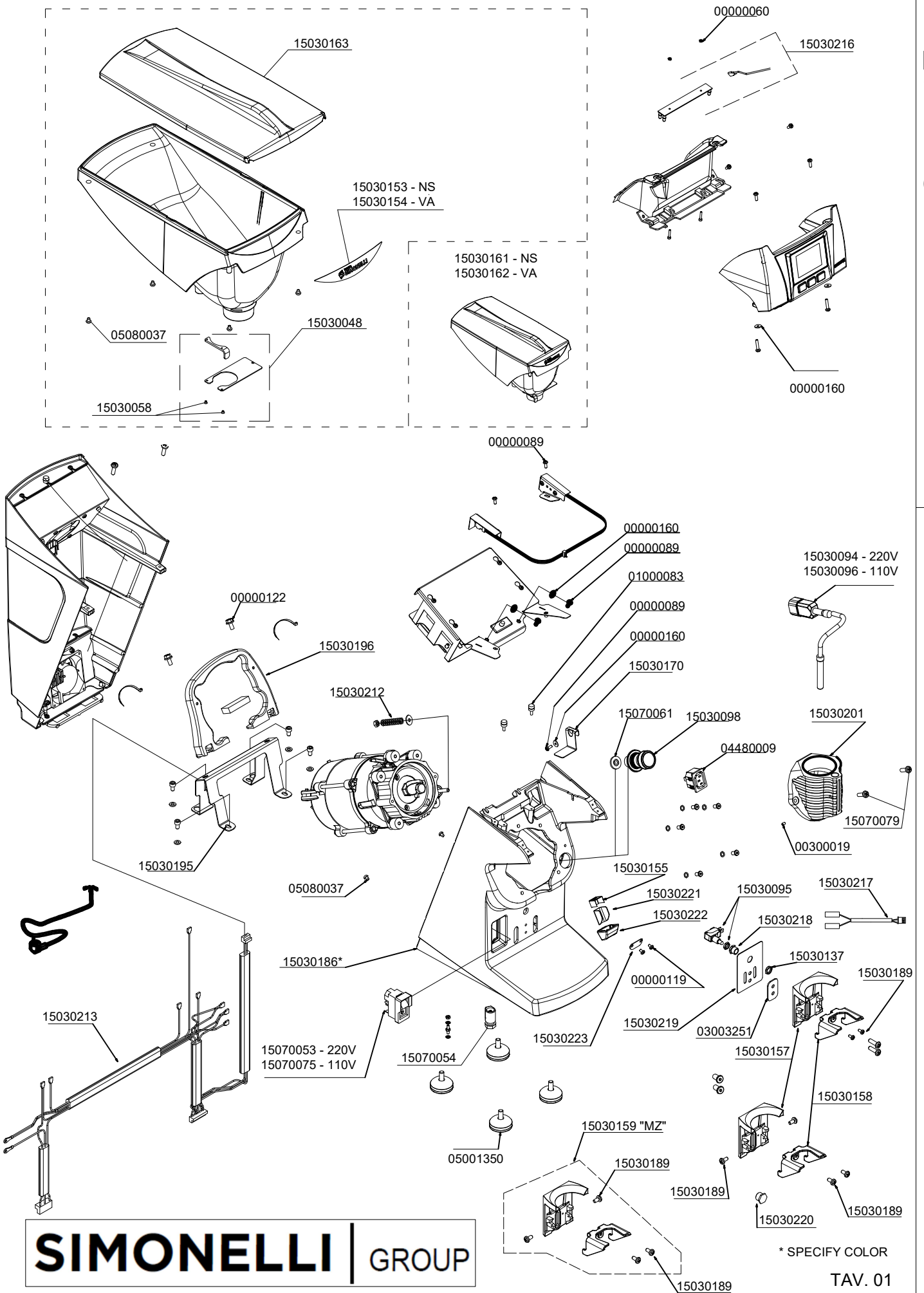
ESPLOSO  
12/2019



**SIMONELLI** | GROUP

# MYTHOS 2

MYTHOS 2

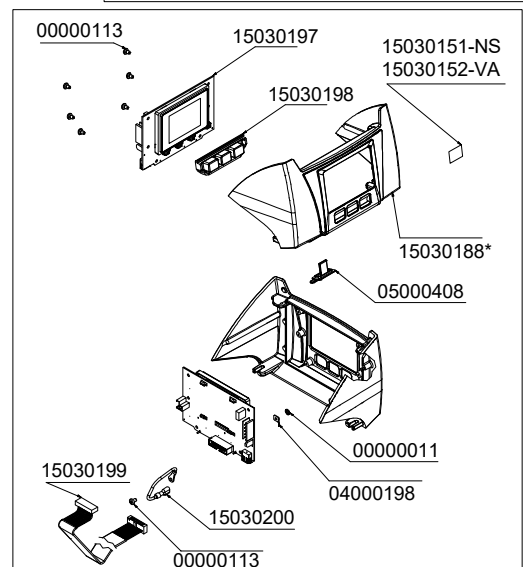
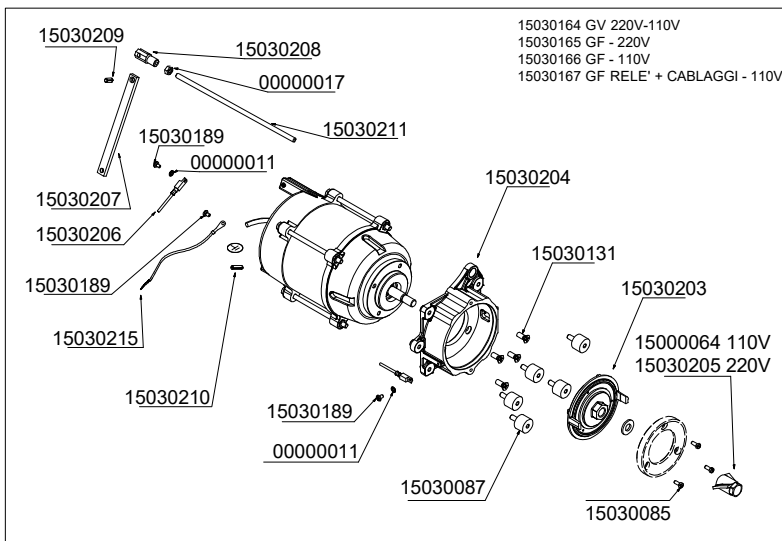
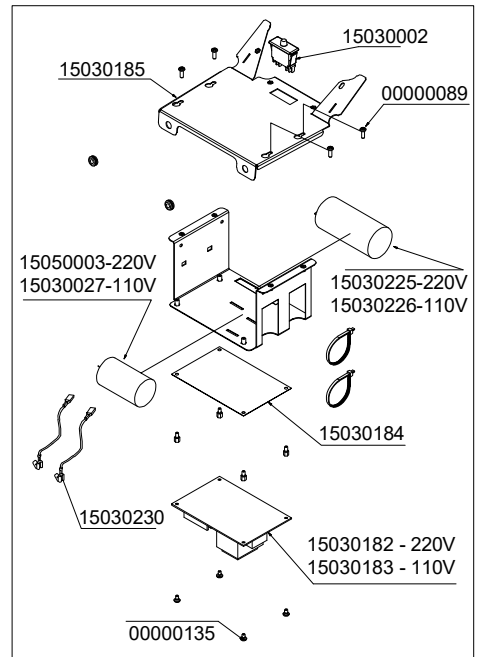
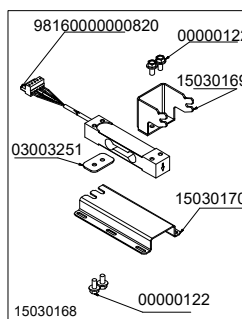
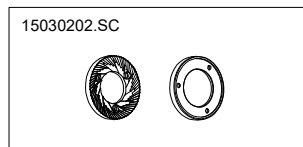
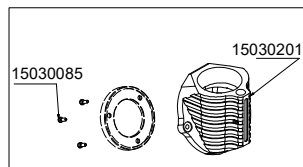
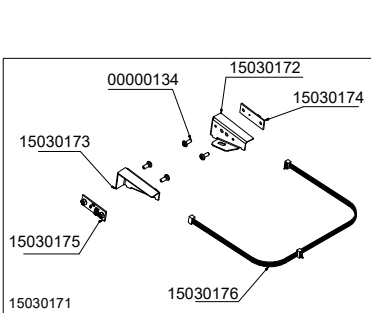
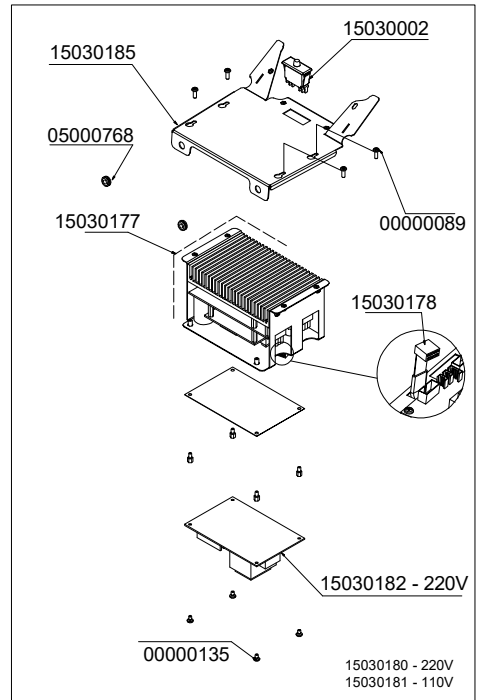
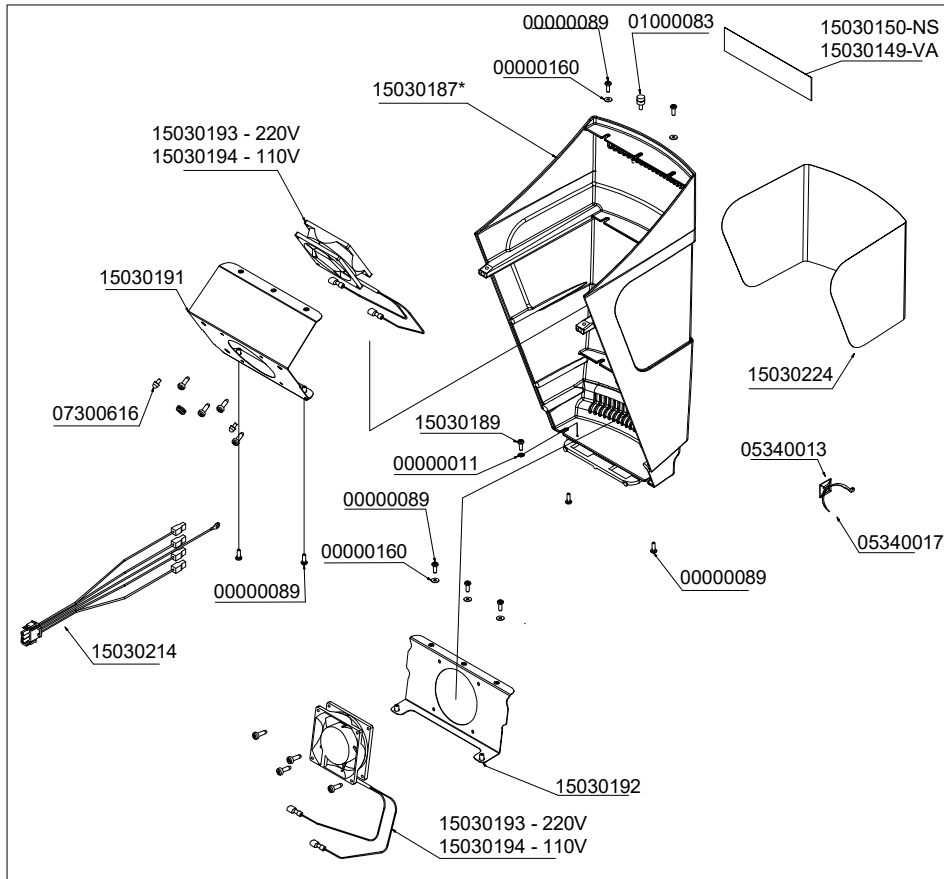


**SIMONELLI** | GROUP

\* SPECIFY COLOR  
TAV. 01

# MYTHOS 2

MYTHOS 2



**SIMONELLI** | GROUP

\* SPECIFY COLOR

TAV 02

CODE	DESCRIPTION	DESCRIZIONE	END VALIDITY
00000011	STAINLESS STEEL KNURLED WASHER D4	RONDELLA INOX M4 ZIGRINATA UNI 8842/A	M Y T H O S  2
00000017	ZINC COATED NUT AQ M6 HIGH	DADO AQ M6 ALTO ZINC. h6 5587	
00000060	M3 MEDIUM GALVANISED NUT	DADO AQ M3 MEDIO ZINCATO	
00000089	SS CROSSHEAD CAP SCREW M4x12	VITE INOX M4x12 TC TCR DIN7985	
00000113	SS CROSSHEAD CAP SCREW M4x6	VITE INOX M4x6 TC T.CR.7985	
00000119	SS CROSS HEAD COUNTERSUNK SCREW M4x6	VITE INOX M4x6 TSPTCR ISO 7046	
00000122	GALV. FLANGED KNURLED HEX CAP SCREW 8.8 M6x12	VITE AQ 8.8 M6x12 TE FLANG.ZIGR. ZINC. BIANCO	
00000134	SCREW AQ M3x6 TC TC ZINC. UNI 6107	VITE AQ M3x6 TC TC ZINC.UNI6107	
00000135	GALV. SLOTTED CAP SELF-TAPPIN SCREW 2,9x15	VITE AUTOF 2,9x15 TCTC ZIN.	
00000160	STAINLESS WASHER D4X12	RONDELLA INOX D4x12x1 UNI 6593	
00300019	STAINLESS STEEL DOWEL M4X8 5923	GRANO INOX M4x6 UNI 5923 PP	
01000083	ANTI-VIBRANTE DD 10X10 M4	ANTIVIBRANTE DD 10x10 M4	
030003251	WEIGHT SCALE SHEET METAL SUPPORT	LAMIERA SPESSORE SUPPORTO BILANCIA	
04000198	FOIL HOLDER M 6.3 D 4.2 45°	PRESA LAMELLARE M 6.3 d4.2 45°	
04480009	PLUG IEC F	PRESA IEC DA INCASSO 3 POLI FASTON 6,3 10A FEMMINA	
05000408	USB COVER VA 388	CHIUSURA PORTA USB	
05000768	D13.5x6.6x1.5 BLACK PVC CABLE DUCT	PASSAC. PVC NERO D13.5x6.6x1.5	
05001350	MACHINE FOOT MASTER	PIEDE MACCHINA D.40 H=18+GOMM. INSERTO M8 MASCHIO	
05080037	MOTOR FOOT MASTER	PIEDINO GOMMA DURA TONDO 9x5xh9	
05340013	SMALL BASE 19x19 FOR BAND WITH SCREW HOLE M4	BASETTA 19x19 PER FASCETTA CON FORO PER VITE M4	
05340017	BLACK WIRE CLAMP 135x2,6	FASCET. SERRAFILI 135x2,6 NERO	
07300616	CASE M4 PIN	PERNO CARENA M4	
15000064	NUT STOPS GRINDER HOLDER	DADO FERMA PORTAMACINE	
15030002	SAFETY MICROSWITCH MYTHOS	MICROSW SICUREZZA	
15030027	60 µF CAPACITOR	CONDENSATORE 60 mF UL	
15030048	COMPLETE GUILLOTINE MYTHOS	GHIGLIOTTINA COMPLETA	
15030058	SS SCREW M3X6	VITE INOX M3x5 TSP TCR	
15030085	GRINDER ASSEMBLY SCREW M4X10	VITE INOX M4x10 TCT(-) TESTA TAGLIO FISS. MACINE	
15030087	VIBRATION DAMPER 20x15 M6 M/F	ANTIVIBRANTE D20xH15xL16 M6 M/F	
15030094	MYTHOS ONE CARTRIDGE HEAT. ELEMENT 220V	RESISTENZA + PRESA 220V	
15030095	MYTHOS ONE MICROSWITCH	MICROSW ATTIV. MACIN.	
15030096	MYTHOS ONE CARTRIDGE HEAT. ELEMENT 110V	RESISTENZA + PRESA 110V	
15030098	MYTHOS ONE GRINDER REGISTER HANDLE	POMELLO REGISTRO MACIN.	
15030131	SS SCREW M6X16	VITE INOX M6x16 TSP T.CR.	
15030137	MICRO ACTIVATOR GUIDE NUT	DADO X DADO GUIDA MICRO ATTIV. MACIN.	
15030149	"VICTORIA ARDUINO" LABEL	ETICHETTA "VICTORIA ARDUINO"	
15030150	"NUOVA SIMONELLI" LABEL	ETICHETTA "NUOVA SIMONELLI"MYTHOS 2 E109-NS	
15030151	"N.S. MYTHOS 2" LABEL	ETICHETTA LOGO MYTHOS 2 N.S. E110-NS	
15030152	"V.A. MYTHOS 2" LABEL	ETICHETTA LOGO MYTHOS 2 V.A. E110-VA	
15030153	"NUOVA SIMONELLI" COFFEE BELL LABEL	ETICHETTA FRONTALE CAMPANA "NUOVA SIMONELLI"	
15030154	"VICTORIA ARDUINO" COFFEE BELL LABEL	ETICHETTA FRONTALE CAMPANA "VICTORIA ARDUINO"	
15030155	CLUMP CRUSHER SHEET	FRANGIA CLUMP CRUSHER 0,25	
15030157	MYTHOS 2 FORK	FORCELLA MYTHOS 2	
15030158	FILTERHOLDER SUPPORT BRACKET	STAFFA REGGI PORTAF. REGOL.	
15030159	"MZ" FILTERHOLDER FORK GROUP	GRUPPO FORCELLA MYTHOS 2 PER PORTAFILTRO "MZ"	
15030161	COMPLETE BELL "N.S."	CAMPANA COMPLETA "N.S."	
15030162	COMPLETE BELL "V.A."	CAMPANA COMPLETA "V.A."	
15030163	COFFEE BELL COVER	COPERCHIO CAMPANA	
15030164	COMPLETE ENGINE VARIABLE SPEED	MOTORE COMPLETO MYTHOS 2 GIRI VARIABILI	
15030165	COMPLETE ENGINE FIXED SPEED 220V	MOTORE COMPLETO MYTHOS 2 GIRI FISSI 220V	
15030166	COMPLETE ENGINE FIXED SPEED 110V	MOTORE COMPLETO MYTHOS 2 GIRI FISSI 110V	
15030167	RELAY KIT FOR ENGINE FIXED SPEED 110V	KIT RELE' MYTHOS 2 PER MOTORE GIRI FISSI 110V	
15030168	SCALE GROUP	GRUPPO BILANCIA	
15030169	WEIGHT SCALE FILTERHOLDER SUPPORT	SUPP. PORTAF. BILAN.	
15030170	WEIGHT SCALE SUPPORT	SUPP. BILANCIA	
15030171	COFFEE PRESENCE SENSORS GROUP	GRUPPO SENSORI PRESENZA CAFFE'	
15030172	RIGHT GRAIN SENSOR SUPPORT SHEET	LAMIERA SUPP. SENSORI GRANO DX -TX	
15030173	LEFT GRAIN SENSOR SUPPORT SHEET	LAMIERA SUPP. SENSORI GRANO SX -RX	
15030174	RIGHT TX GRAIN LEVEL SENSOR	SENSORE TX PER LIVELLO GRANO (LATO DX)	
15030175	LEFT RX GRAIN LEVEL SENSOR	SENSORE RX PER LIVELLO GRANO (LATO SX)	
15030176	SENSORS CABLE	CAVO COLL. SENSORI PRESENZA CAFFE' CAV43	
15030177	INVERTER IC 400	ASSIEME INVERTER IC 400 (110V- 220V)	
15030178	INVERTER CABLE	CAVETTO INVERTER CAV40	
15030180	MAIN GROUP VARIABLE SPEED 220V	GRUPPO CENTR. GIRI V. 220V	
15030181	MAIN GROUP VARIABLE SPEED 110V	GRUPPO CENTR. GIRI V. 110V	
15030182	220V POWER SUPPLY	ALIMENTATORE 220V	
15030183	110V POWER SUPPLY	ALIMENTATORE 110V	
15030184	CONTROL UNIT PROTECTIVE SHEET	PROTEZIONE SCHEDA	
15030185	UNDER-COFFEE BELL PROTECTION SHEET	PROTEZ. SOTTOCAMPANA	
15030186.B	MYTHOS 2 BASE WHITE	BASAMENTO MYTHOS 2 BIANCO	
15030186.NO	MYTHOS 2 BASE BLACK	BASAMENTO MYTHOS 2 NERO OPACO	
15030187.B	MYTHOS 2 BACK COVER WHITE	CORPO POSTER. MYTHOS 2 BIANCO	
15030187.NO	MYTHOS 2 BACK COVER BLACK	CORPO POSTER. MYTHOS 2 NERO OPACO	
15030188.B	MYTHOS 2 FRONT COVER WHITE	PANNELLO FRONT. BIANCO	
15030188.NO	MYTHOS 2 FRONT COVER BLACK	PANNELLO FRONT. NERO	

CODICE	DESCRIPTION	DESCRIZIONE	END VALIDITY	M Y T H O S  2
15030189 15030191 15030192 15030193 15030194 15030195 15030196 15030197 15030198 15030199 15030200 15030201 15030202.SC 15030203 15030204 15030205 15030206 15030207 15030208 15030209 15030210 15030211 15030212 15030213 15030214 15030215 15030216 15030217 15030218 15030219 15030220 15030221 15030222 15030223 15030224 15030225 15030226 15030230 15050003 15070053 15070054 15070061 15070075 15070079 9816000000820	SS CROSSHEAD CAP SCREW M4x8 MYTHOS 2 HIGHER FAN SUPPORT MYTHOS 2 LOWER FAN SUPPORT MYTHOS 2 230V POWERED FAN MYTHOS 2 110V POWERED FAN MYTHOS 2 MOTOR SUPPORT BRACKET MYTHOS 2 HIGHER MOTOR SUPPORT MYTHOS 2 DISPLAY TFT MYTHOS 2 3 KEYS KEYBOARD MYTHOS 2 20 WAYS FLAT CABLE MYTHOS 2 GROUND CABLE MYTHOS 2 HIGHER GRINDERHOLDER D 85 LONG LIFE GRINDERS MYTHOS 2 LOWER GRINDERHOLDER MYTHOS 2 GRINDING CHAMBER MYTHOS 2 GRINDERHOLDER SCREW MYTHOS 2 TEMPERATURE SENSOR CALIBRATION ROD MYTHOS 2 FORK CALIBRATOR MDL/C-MCD SPRING PIN 5x12 SPRING PIN 5x20 CALIBRATION TIE ROD MCD SHORT CALIBRATION TIE ROD SPRING MYTHOS 2 MAIN CABLE MYTHOS 2 FAN + GROUND CABLE 4,2 EYELET GROUND CABLE 30 cm LED + CABLE MYTHOS 2 MICROSWITCH CONNECTION CABLE MYTHOS 2 MICROSWITCH DRIVING NUT MYTHOS 2 WEIGHT SCALE HOLES COVER MYTHOS 2 MICROSWITCH COVER NUT MYTHOS 2 GRINDED COFFEE CHANNEL MYTHOS 2 GRINDED COFFEE CHANNEL COVER MYTHOS 2 CLUMP CRUSHER CLIP MYTHOS 2 BACK LABEL MYTHOS 2 PILOT - 220V MYTHOS 2 PILOT - 110V CONNECTING CABLE PILOT 20 µF CAPACITOR SWITCH CABLE BLOCK CENTERING BUSHING 110V SWITCH SCREW AQ M6x16 TC T.CR. SCALE SENSOR + CONNECTIONS VA388	VITE INOX M4x8 TC T.CR SUPP. VENTOLA SUP. SUPP. VENTOLA INF. VENTOLA 230V MYTHOS 2 CABLATA VENTOLA 110V MYTHOS 2 CABLATA STAFFA SUPP. MOTORE VERTEBRA MOTORE SCHEDA DISPLAY TFT TASTIERA SILICONICA 3 TASTI CAVO FLAT 20 VIE CABLAGGIO TERRA X FRONTALE PORTAMACINA SUP. COPPIA MACINE D.85 LONG LIFE + SCATOLA PORTAMACINA INF. MYTHOS 2 CAMERA DI MACINATURA MYTHOS 2 CHIOCCIOLA FERMA PORTAMACINE MYHTOS 2 SONDA TEMPERATURA MYTHOS 2 ASTA REGISTRO MYTHOS LOW FORCELLA REGISTRO MDL/C- MCD - MYTHOS 2 SPINA ELASTICA 5x12 SPINA ELASTICA 5x20 TIRANTE REG. MCD - MYTHOS LOW MOLLA TIRANTE REG. MACINATURA CORTA CABLAGGIO GENERALE MYTHOS 2 CAVO COLL. VENTOLE + TERRA MYTHOS 2 CAVO OCCHIELLO 4.2 30cm TERRA MODULO LED MYTHOS 2 + CAVETTO CAVO COLL. MICRO ATTIV. MACIN. MYTHOS 2 DADO GUIDA MICRO ATTIV. MACIN. MYTHOS 2 CHIUSURA FORI BILANCIA MYTHOS 2 DADO TAPPO MICRO MYTHOS 2 CANALETTO USCITA CAFFE' MYTHOS 2 COPERCHIO CANALETTO USCITA CAFFE' MYTHOS 2 FERMAGLIO CLUMP CRUSHER MYTHOS 2 ETICHETTA POSTERIORE MYTHOS 2 PILOT PER MYTHOS 2 - 220V PILOT PER MYTHOS 2 - 110V CAVO COLL. PILOT CONDENSATORE 20 µF INTERUTTORE 220V MDJ-MDXS-M2 FERMACAVO DA PANNELLO MM. 13 BOCCOLA CENTRAGGIO ASTA x MDJ TEFLON INTERUTTORE 110V VITE AQ M6x16 TC T.CR. ZINC ASSIEME CELLA DI CARICO + CONNETTORE		